

**THANK YOU FOR DOWNLOADING THIS MANUAL. I HOPE IT HELPS YOU RESOLVE ANY ISSUES YOU HAVE WITH YOUR GAME.**

**THIS MANUAL WAS PURCHASED AND SCANNED BY BASEMENT ARCADE ASSOCIATES. [WWW.BASEMENTARCADE.COM](http://WWW.BASEMENTARCADE.COM), AND IS OFFERED FOR FREE AS A DOWNLOAD FROM OUR SITE.**

**THIS PDF IS NOT TO BE DISTRIBUTED ON ANY COLLECTION CD/DVD, NOR IS IT TO BE LINKED VIA ANY OTHER INTERNET SITE WITHOUT PERMISSION FROM US. LIKEWISE, IT IS NOT TO BE DISTRIBUTED FROM ANY OTHER SITE WITHOUT OUR PERMISSION.**

**ABIDING BY THESE REQUESTS WILL ENSURE THE CONTINUING SUPPORT OF NEW MANUALS ADDED TO OUR SITE.**

**ALL ORIGINAL COPY RIGHTS ARE HELD BY THE ORIGINAL OWNERS**



TM-357  
1st printing

## Operator's Manual

with Schematics

# PIT-FIGHTER





## **For technical assistance:**

If reading through this manual does not lead to solving your game maintenance or repair problem, call TELE-HELP® at one of these Atari Games Customer Service offices:

### **UNITED STATES**

Atari Games Corporation  
California Customer Service Office  
737 Sycamore Drive  
Milpitas, CA 95036-1110

**Fax (408) 434-3945**

**Telex 5101007850**

**☎ (408) 434-3950**

(Monday-Friday, 7:30 a.m.-4:00 p.m. Pacific time)

### **EUROPE**

Atari Games Ireland Limited  
European Customer Service Office  
Tipperary Town, Ireland

**Fax 062-51702**

**Telex 70665**

**☎ 062-52155**

(Monday-Friday, 9:00 a.m.-5:30 p.m. GMT)



# PIT-FIGHTER™

*Operator's Manual*  
*with Schematics*





# Safety Summary

The following safety precautions apply to all game operators and service personnel. Specific warnings and cautions will be found in this manual whenever they apply.

## WARNING

**Properly Ground the Game.** Players may receive an electrical shock if this game is not properly grounded! To avoid electrical shock, do not plug in the game until it has been inspected and properly grounded. This game should only be plugged into a grounded three-wire outlet. If you have only a two-wire outlet, we recommend you hire a licensed electrician to install a three-wire grounded outlet. If the control panel is not properly grounded, players may receive an electrical shock! After servicing any part on the control panel, check that the grounding wire is firmly secured to the inside of the control panel. After you have checked this, lock up the game.

**AC Power Connection.** Before you plug in the game, be sure that the game's power supply can accept the AC line voltage in your location. The line voltage requirements are listed in the first chapter of this manual.

**Disconnect Power During Repairs.** To avoid electrical shock, disconnect the game from the AC power before removing or repairing any part of the game. If you remove or repair the video display, be very careful to avoid electrical shock. High voltages continue to exist even after power is disconnected in the display circuitry and the cathode-ray tube (CRT). Do not touch the internal parts of the display with your hands or with metal objects! Always discharge the high voltage from the CRT before servicing it. Do this after you disconnect it from the power source. First, attach one end of a large, well-insulated, 18-gauge jumper wire to ground. Then momentarily touch the free end of the grounded jumper wire to the CRT anode by sliding the wire under the anode cap. Wait two minutes and do this again.

**Use Only Atari Parts.** To maintain the safety of your Atari game, use only Atari parts when you repair it. Using non-Atari parts or modifying the game circuitry may be dangerous, and could injure you and your players.

**Handle the CRT With Care.** If you drop the CRT and it breaks, it may implode! Shattered glass from the implosion can fly six feet or more.

**Use the Proper Fuses.** To avoid electrical shock, use replacement fuses which are specified in the parts list for this game. Replacement fuses must match those re-

placed in fuse type, voltage rating, and current rating. In addition, the fuse cover must be in place during game operation.

## CAUTION

**Properly Attach All Connectors.** Make sure that the connectors on each printed circuit board (PCB) are properly plugged in. The connectors are keyed to fit only one way. If they do not slip on easily, do not force them. If you reverse a connector, it may damage your game and void your warranty.

**Ensure the Proper AC Line Frequency.** Video games manufactured for operation on 60 Hz line power (used in the United States) must not be operated in countries with 50



Hz line power  
(used in Europe).

If a 60 Hz machine operates on 50 Hz line power, the fluorescent line ballast transformer will overheat and cause a potential fire hazard. Check the product identification label on your machine for the line frequency required.

## ABOUT NOTES, CAUTIONS, AND WARNINGS

In Atari publications, notes, cautions and warnings have the following meaning:

**NOTE** — A highlighted piece of information.

**CAUTION** — Equipment and/or parts can be damaged or destroyed if instructions are not followed. You will void the warranty on Atari printed-circuit boards, parts thereon, and video displays if equipment or parts are damaged or destroyed due to failure of following instructions.

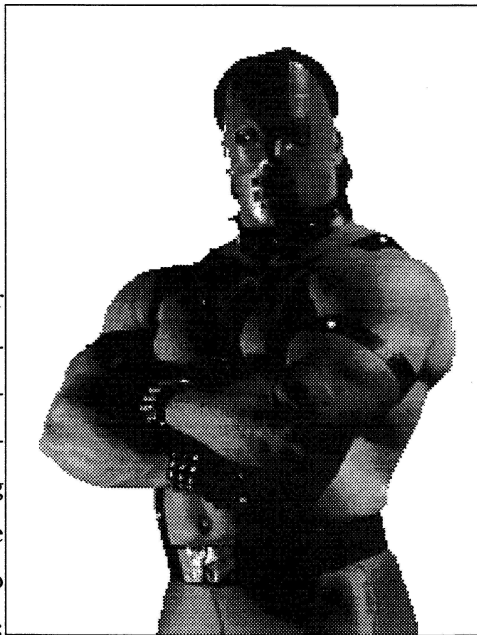
**WARNING** — Players and/or technicians can be killed or injured if instructions are not followed.

# Set-Up

## How to Use This Manual

This manual is written for operators and service personnel. It provides information for setting up, playing, testing, and maintaining your Pit-Fighter™ game. The manual is divided into the following chapters:

■ Chapter 1 contains set-up and game playing information. ■ Chapter 2 describes the self-test and how to use the self-test screens.



■ Chapter 3 contains maintenance, repair, and troubleshooting procedures. Be sure to perform the preventive maintenance tasks to keep the game in good condition. ■ Chapter 4 contains the illustrated parts

lists. ■ Chapter 5 contains the schematics for the Pit-Fighter game PCB and JSA Audio II PCB and the game wiring diagram.



## Inspecting the Game

### WARNING

*To avoid electrically shocking yourself and damaging the game electronics, do not plug in the game until it has been inspected and set up for your line voltage.*

This cabinet should be connected to a grounded three-wire outlet only. If you have only two-wire outlets, we recommend that you hire a licensed electrician to install grounded outlets. Players can receive an electrical shock if the cabinet is not properly grounded.

Inspect your Pit-Fighter game carefully to ensure that the game is complete and was delivered to you in good condition.

Inspect the cabinet as follows:

1. Examine the exterior of the cabinet for dents, chips, or broken parts.
2. Open the service door. Unlock and open the coin doors. Inspect the interior of the cabinet as follows:
  - a. Check that all plug-in connectors on the cabinet harnesses are firmly plugged in. Do not force connectors together. The connectors are keyed so they fit only in the proper orientation. A reversed connector can damage a printed-circuit board (PCB). This will void your warranty.
  - b. Ensure that all plug-in integrated circuits on each PCB are firmly plugged into their sockets.
  - c. Inspect the power cord for any cuts or dents in the insulation.
  - d. Inspect the power supply. Make sure that the correct fuses are installed. Check that the harness is plugged in correctly and that the fuse block cover is mounted in place. Check that the green ground wire are connected.

**Table 1-1 Game Specifications**

Characteristic	Specification
Power Consumption	127 W maximum
Line Fuse Rating	2 Amps
Line Voltage	102 to 132 VAC
Temperature	5° to 38° C (37° to 100° F)
Humidity	Not to exceed 95% relative
Width	33.25 inches (84 cm)
Depth	38.25 inches (97 cm)
Height	71.75 inches (182 cm)
Weight	325 lbs. (148 kg)

- e. Inspect other sub-assemblies, such as the video display, controls, printed-circuit boards (PCBs), and speakers. Make sure that they are mounted securely and that the ground wires are connected.

## Control and Switch Locations

Most of the controls are located inside the drawer, behind the control panel (see Figure 1-1). The only exception is the power on/off switch.

### Power On/Off Switch

The power on/off switch is located at the top left of the cabinet (behind the peak).

### Volume Control

The volume control is located on the JSA Audio II PCB, which is in the drawer behind the control panel.

### Self-Test Switch

The self-test switch is also located on the JSA Audio II PCB, in the drawer behind the control panel.

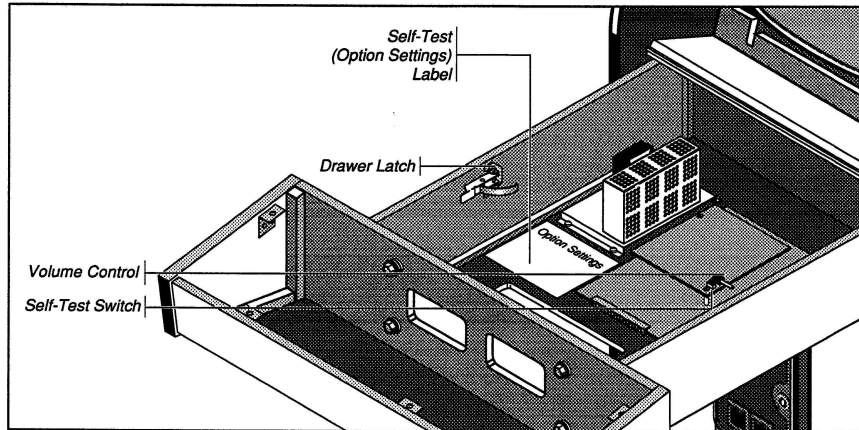
### Coin Counter

The coin counter is located on the bottom of the coin box, inside the lower coin door.

## Installing the Control Panel

Make sure the game power is turned off. To install the separately packaged control panel, you need the following tools:

- Hex driver or wrench
  - Four flat washers (provided with game)
  - Four nut-washer assemblies (provided with game)
1. Reach in through the openings on the front of the drawer, and open the spring draw latch on each side. Pull the drawer out partly. (See Figure 1-1.)
  2. Hold the control panel up to the front of the drawer, and match up the four threaded studs with the four small holes (one in each corner).
  3. Install one flat washer and nut/washer assembly onto each threaded stud.
  4. Plug the two control panel harness connectors into the game harness inside the drawer. These connectors are interchangeable, so be sure to match wire colors. Plug the third harness connector into the game PCB connector located near capacitors C42–C44. Attach the ground clip to the power supply base. **This step is very important, since this clip grounds the control panel.**
  5. Close the drawer and snap shut both latches.



**Figure 1-1 Control and Switch Locations**

6. Turn on the game power. Check that the video display and the attraction lamp have power.

## Setting the Coin and Game Options

The Pit-Fighter coin and game options are set in the self-test. Refer to Chapter 2 for the recommended settings and the procedure for setting the options.

## Game Play

This section of the manual describes the theme of the Pit-Fighter game and the game play features.

### Introduction

This is Pit-Fighter, the new underground sport! There's no shortage of action in this no-holds-barred street fight. Players control one of three skilled masters as they challenge street-tough fighters like "The Executioner", "Chainman Eddie", "Angel", and the "Masked Warrior"—the Ultimate Champion.

Pit-Fighter is made entirely of *digitally processed graphics* for the ultimate in realism. It even includes a camera zoom and side-to-side pan for a cinematic look.

Up to three can play, and players can join in at any time. Each player uses an 8-way joystick and three buttons to control his fighter. Using different button combinations, players command their fighters to punch, kick and jump. Using other control combinations generates a variety of other moves.

The total number of fighters on the screen at any one time is determined by the number of paying players.

In this free-for-all brawl, players can hit any fighter, even any of the good guys.

### Play Mode

In Pit-Fighter, no rules exist. In this crude, unregulated form of prize fighting, anything goes. Fighters are in it for the money and glory of beating the champion.

Players begin by selecting one of three characters. Each are unique in appearance and fighting style.

*Buzz* — Former pro wrestler & bodybuilder. He specializes in brute-strength moves.

*Ty* — Champion kickboxer & Pit-Fight veteran. He has powerful kicks & killer instinct.

*Kato* — Master of the Flying Dragon style of Karate. He has incredible hand speed and agility.

Each player has a lethal "Super Move" that is unleashed when all three buttons are pressed.

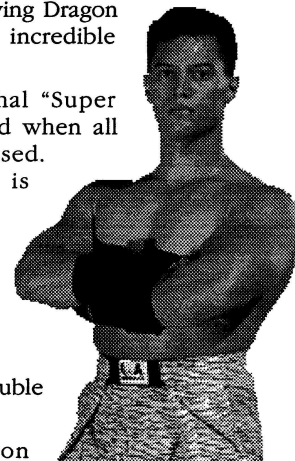
This explosive move is much more damaging to a fighter than regular moves. Their special Super Moves are:

*Buzz* — Killer Body Slam

*Ty* — Flying Deadly Double Kick

*Kato* — Lethal Dragon Punch

In Pit-Fighter, players fight numerous challengers as they battle their way to the top. To keep players on





their toes, all the challengers have unique fighting skills and attack in a different way. Players must also be aware of a hostile crowd that will push and shove when fighters come too close. Some people will emerge from the crowd and stab fighters with knives. At the end of each match, players are awarded bonuses for Knockouts, Brutality, and a Fight Purse.

Every third match is a Grudge Match. Here, players fight head-to-head with other paying players in a multi-player game, or a computer twin of themselves in a one-player game. The winner is the last man standing in a three-knockdown fight. The last Grudge Match is an Elimination Match to decide who will challenge the Masked Warrior, the Ultimate Champion. After defeating the champion, a new one is crowned.

# Self-Test



Use the Pit-Fighter self-test to check the condition of the game circuitry and controls. You will see the self-test information on the video display and hear the sound test infor-

mation through the speakers. You do not need any additional equipment to perform the self-test. Perform the self-test when you

first set up the game, each time you collect the money, or when you suspect game problems. This chapter shows the screens in the self-test and explains each of the tests. The

screens and explanations are arranged in the order they appear in the self-test. Table 2-1 lists all the self-test screens.



## Entering and Exiting the Self-Test

To enter the self-test, turn on the self-test switch on the JSA Audio II PCB (next to the volume control). Doing so displays the select test menu (entitled “Self Test”); see Figure 2-1. Exit the self-test by turning off the self-test switch at any time.

**Table 2-1 Summary of the Self-Test Screens**

Self Test (Select Test Menu)
Switch Test
Sound Test
Coin Options
Game Options
Game Statistics
Alpha(numeric) Test
Motion Object Test
Playfield Test
Color Test
First Color Test
Second Color Test
Red Color Purity
Green Color Purity
Blue Color Purity
White Color Purity
Grey Color Purity
Convergence Test
White Convergence
Violet Convergence
Blue Convergence
Yellow Convergence

**Table 2-2 Bad RAM Location by Error Address**

Error Address	RAM Location	
	High	Low
FE8000 (Color RAM)	45D	45C
FF0000 (Video RAM)	35J	25J

**Table 2-3 Bad ROM Location by Error Address**

Error Address	ROM Location	
	High	Low
000000	5D	5B
020000	30D	30B

## RAM and ROM Test

When you turn on the power, the game automatically runs through the random-access memory (RAM) and read-only memory (ROM) test. This test is *not* part of the self-test procedure. Regardless of whether or not the game has a problem, it will always advance to the attract mode. The game will stop only if you power it up and the self-test switch has been previously turned on.

### Game RAM Test

No message appears while the test is checking the RAMs. If more than 30 seconds elapse and the self-test menu doesn't appear, the game has a problem. See Table 2-2 for the locations of bad RAMs. If the test finds no RAM errors, no message appears and the program goes to the ROM test after 15-20 seconds.

### Game ROM Test

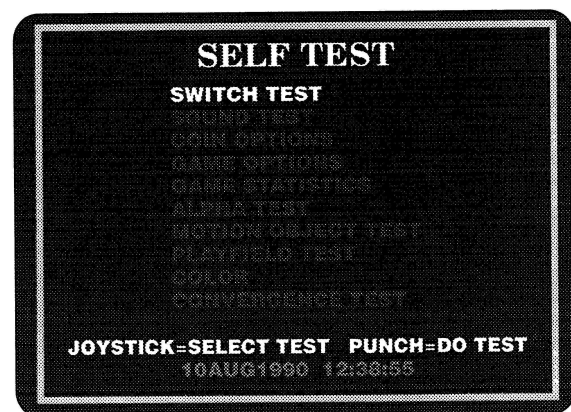
If the test finds no ROM errors, no message appears and the program goes to the title screen in the attract mode. If a ROM fails, a message is displayed. Furthermore, if the failed ROM is a program ROM, then the error number with checksums is shown in the center of the screen. The ROM error test takes a few seconds. See Table 2-3 for the location of bad ROMs.

If you think you have a ROM error, but the screen shows no messages, see Table 3-3 for information about the locations of various ROM functions.

Depending on how bad the ROM error is, you may not be able to enter the self-test.

## Select Test Menu

Choose which test or screen you want to see from this menu, shown in Figure 2-1. Move up and down the menu using any of the three joysticks. Start the select-



**Figure 2-1 Select Test Menu Screen**

ed test by pressing any of the punch buttons.

## Switch Test

The switch test screen is shown in Figure 2-2. Test the joysticks and pushbutton switches. As you use each control, the pink Xs for the pushbuttons change to Os, or the joystick switch markers (small yellow dots) are highlighted. If the changes do not appear on the screen, check the switch wiring and the switches.

### NOTE

*The coin mechanisms are checked in the Sound test. See the next section below.*

Press the left Kick and Punch buttons simultaneously to return to the menu screen.

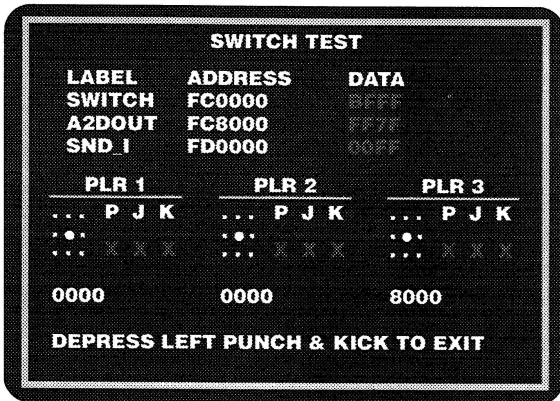


Figure 2-2 Switch Test Screen

## Sound Test

The sound test indicates the condition of the sound effects circuit on the game PCB. The sound test screen appears in Figure 2-3.

Use one of the joysticks to select from the sounds; press one of the jump buttons to listen to it. (You can have numerous sounds playing simultaneously, or you can have silence, depending on which ones you select.) Pressing any punch button returns you to the menu screen.

## Coin Options

Check and select the coin options on this screen, shown in Figure 2-4. The screen shows the factory default settings in green.

To move through the options, to change or save the settings, or to return to the select test menu, follow the

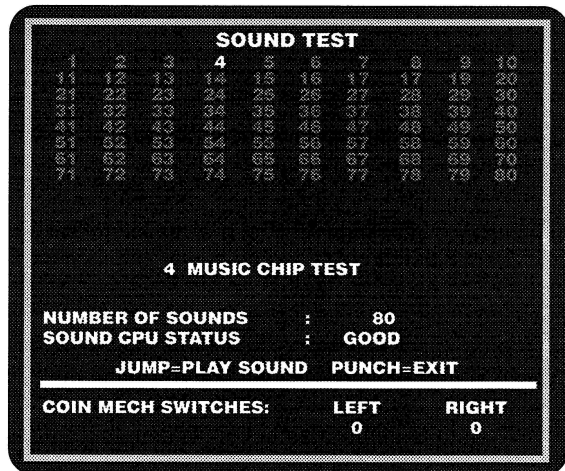


Figure 2-3 Sound Test Screen

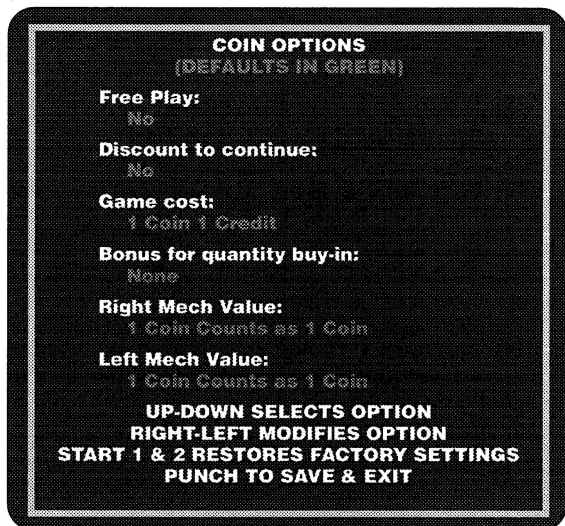


Figure 2-4 Coin Options Screen

instructions shown at the bottom of the screen. The coin option settings, with defaults, are shown and explained in Table 2-4.

## Game Options

Check and select the game options on this screen, shown in Figure 2-5. The screen shows the factory default settings in green.

To move through the options, to change or save the settings, or to return to the select test menu, follow the instructions shown at the bottom of the screen. The

Table 2-4 Coin Option Settings

Option	Available Settings	Explanation
<b>Free Play</b>	No ♦ Yes	Lets you choose free play to demonstrate the game.
<b>Discount to Continue</b>	No ♦ Yes	If set to Yes, this option reduces by 50% the player's cost to continue a game (always rounded up to the next full coin).
<b>Game Cost</b>	1 coin 1 credit ♦ 2 coins 1 credit ... 8 coins 1 credit	The number of coins required for one credit.
<b>Bonus for Quantity Buy-in</b>	None ♦ 2 coins give 1 3 coins give 1 3 coins give 2 4 coins give 1 ... 9 coins give 2 9 coins give 3	Lets you choose from various kinds of bonuses or no bonus.
<b>Right Mech Value</b>	1 coin counts as 1 coin ♦ 1 coin counts as 2 coins ... 1 coin counts as 7 coins 1 coin counts as 8 coins	The number of coins each coin counts as in the right coin mechanism.
<b>Left Mech Value</b>	1 coin counts as 1 coin ♦ 1 coin counts as 2 coins ... 1 coin counts as 7 coins 1 coin counts as 8 coins	The number of coins each coin counts as in the left coin mechanism.

♦ *Manufacturer's recommended settings*

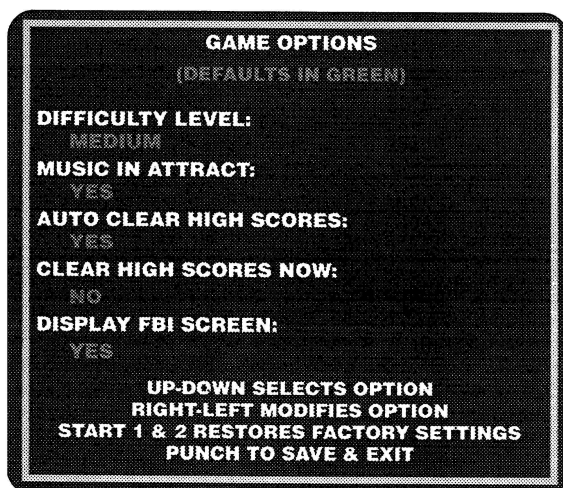


Figure 2-5 Game Options Screen

game options, with defaults, are shown and explained in Table 2-5.

## Game Statistics

Use the information shown in the four statistics and histogram (bar graph) screens to keep track of your game use and maximize your profits. Record the information on the Pit-Fighter statistics page in the back of this manual. The first of the four screens is shown in Figure 2-6.

The game statistics are collected from the last time the statistics were cleared. You can clear the statistics by simultaneously pressing the Start 1 and 2 buttons (the left and center ones). Press the left Punch button to advance to the next statistics or histogram screen, or to go back to the Select Test menu.

### Statistics Screen

The first statistics screen lists the following information:

- *Left Coins* shows the number of coins counted in the left coin mechanism.
- *Right Coins* shows the number of coins counted in the right coin mechanism.
- *0 Plyr Mins* shows the number of minutes that the game was idle.
- *1 Plyr Mins* shows the number of minutes that the



Table 2-5 Game Option Settings

Option	Available Settings	Explanation
Difficulty Level	Easiest, Way Easy, Very Easy, Medium Easy, Medium $\blacklozenge$ , Medium Hard, Very Hard, Hardest	Sets the game difficulty.
Music in Attract (Mode)	Yes $\blacklozenge$ No	Lets you turn the sound on or off in the attract mode.
Auto Clear High Scores	Yes $\blacklozenge$ No	Automatically clears the high-score table periodically.
Clear High Scores Now	Yes No $\blacklozenge$	Immediately clears the high score table in the self-test.
Display FBI Screen	Yes $\blacklozenge$ No	Periodically displays the FBI emblem and the message "Winners Don't Use Drugs" in the attract mode. If this game is used outside of the U.S., we recommend you set this option to <i>No</i> .

$\blacklozenge$  Manufacturer's recommended settings

```

STATISTICS
LEFT COINS:
RIGHT COINS:
0 PLYR MINS:
1 PLYR MINS:
2 PLYR MINS:
3 PLYR MINS:
SESSIONS:
NEW GAMES:
CONT GAMES:
NEW MINS:
CONT MINS:
ERROR COUNT:

TOTAL CREDITS: 26
AVG TIME/CREDIT: 78 SEC
AVG TIME/NEW GAME: 60 SEC
AVG TIME/CONT GAME: 90 SEC

OS CREATION DATE: 05AUG1990 03:28:15
PG CREATION DATE: 05AUG1990 06:56:04

START 1 & 2 TO CLEAR STATS
LEFT PUNCH TO EXIT

```

Figure 2-6 Statistics Screen

game was played by one person only.

- *2 Plyr Mins* shows the number of minutes that the game was played by two people.
- *3 Plyr Mins* shows the number of minutes that the game was played by three people.
- *Session* is measured from when the first player starts a game until the *Game Over* message appears.
- *New Games* shows the number of unique games played. A unique game is counted every time a player starts a new game (not a continued game).
- *Cont Games* shows the number of games that players continued.
- *New Mins* shows the number of minutes that the

game was played as new games.

- *Cont Mins* shows the number of minutes that the game was played as continued games.
- *Error Count* shows the number of errors counted in the erasable memory. If you have an error count, the statistics may be wrong. If you consistently have errors counted for several weeks, replace the EEROM at 30E on the Pit-Fighter game PCB.
- *Total Credits* is the number of credits accumulated by the game.
- *Average Time per Credit* is displayed in seconds. This item is tabulated for all games played since the statistics were cleared. If there are no credits, this line will not be displayed.
- *Average Time per New Game* is also displayed in seconds.
- *Average Time per Continued Game* is also displayed in seconds.

### Histogram 1 Screen

The first histogram screen lists the length of time for all new games, grouped in 20-second increments (except for the shortest games lasting 0–39 seconds).

### Histogram 2 Screen

The second histogram screen lists the same information as Histogram 1, except for continued games.

### Histogram 3 Screen

The third histogram screen lists the length in minutes for all game sessions.

## Alphanumeric Test

The alphanumeric test, shown in Figure 2-7, checks the condition of the alphanumerics in the game. If you see an error on the screen, check the EPROM at 15L.

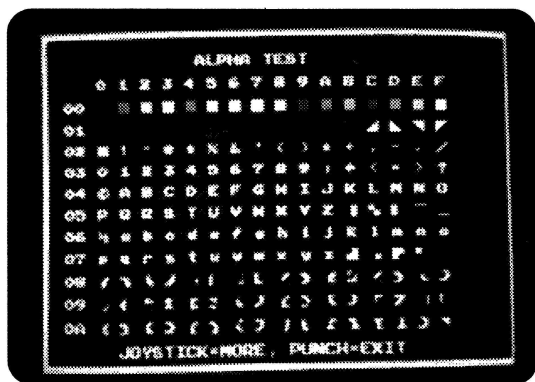


Figure 2-7 Alphanumeric Test Screen

Moving any of the joysticks up or down scrolls the screen up and down. Press any Punch button to go to the menu screen.

### Motion Object Test

The motion object test screen, shown in Figure 2-8, tests the movement and color of various game objects. The most important part of this screen is the ROM status squares on the right side. The squares should all be green (indicating good motion object ROMs); red squares indicate bad ROMs.

Choose an object and move it or change it as follows:

Control:	This action results:
Left joystick	Left/right and up/down moves the object around on the screen.
Center joystick	Up/down enlarges/shrinks the object.
Left Jump, Kick	Selects one of the three motion objects (called 0, 1, and 2).

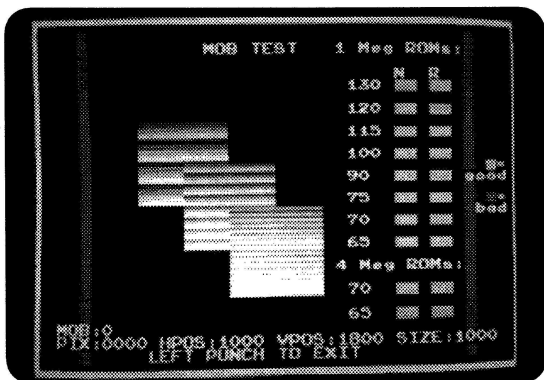


Figure 2-8 Motion Object Test Screen

Center Jump, Kick Selects a picture that will be displayed and manipulated as the motion object.

Press the left Punch button to go to the select test menu.

### Playfield Test

The playfield test screen, shown in Figure 2-9, tests the movement of the playfield.

Move the left joystick up, down, left, and right to check whether the whole picture moves accordingly. Press the left Punch button to go to the menu screen.

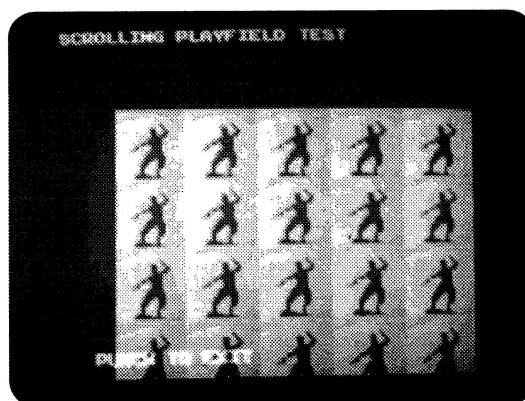


Figure 2-9 Playfield Test Screen

### Color Test

This test has seven screens, the first of which is shown in Figure 2-10. Advance to each screen by pressing the Kick or Jump button.

- The first color test indicates the dynamic range of

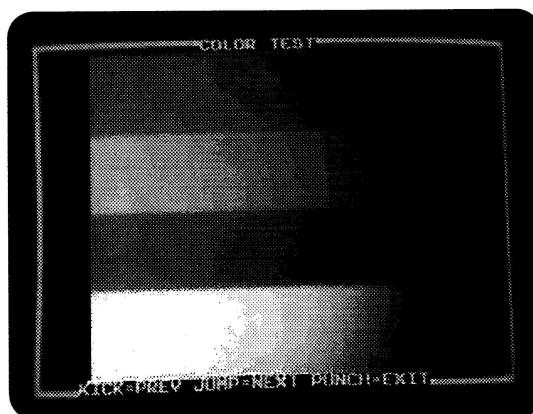


Figure 2-10 Color Test Screen

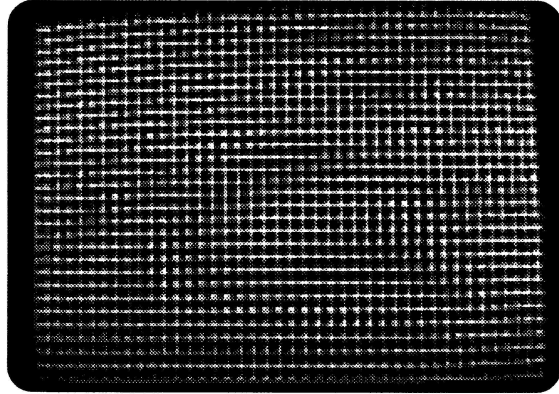
the video display color circuit. The screen should show four bands (red, green, blue, and white, from top to bottom), ranging from bright to dark, left to right. The red, green, and blue bands are produced by only one color gun being turned on in each band. At the bottom is a white band, in which all three color guns are turned on.

- The second color test shows the same as the first color test, but with two color guns being turned on in three bands—a yellow band (red and green guns), cyan band (blue and green guns), and magenta band (blue and red guns). At the bottom is a white band.
- The remaining five screens are color purity tests. The rectangles of color shown are red, green, blue, white, and grey. Each screen should display a straight rectangle of color, with no curving at the corners, no unevenness of color, and no lines in the display.

If any of these screens are not correct, adjust the video display as described in the video display manual. Return to the menu screen by pressing any Punch button.

## Convergence Test

The convergence test has four screens—white, violet, blue, and yellow grid lines. The white screen is shown in Figure 2-11. To see the remaining screens, press any



**Figure 2-11 Convergence Test Screen**

Kick or Jump button. Press any Punch button to go to the menu screen.

Check the following on the screens:

- The grid lines should be straight within 3.0 mm and the lines should not pincushion or barrel.
- The convergence of the lines on the violet and black screens should be within 2.0 mm.

If these screens do not meet these criteria, adjust the video display as described in the video display manual.

Self-Test

Pit-Fighter

N

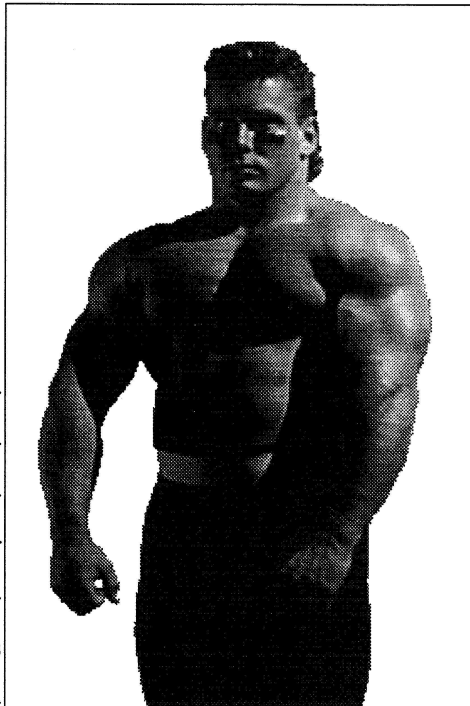
O

T

E

S

# Troubleshooting and Maintenance



This chapter contains troubleshooting tables and repair procedures for your Pit-Fighter™ game. The chapter contains three troubleshooting tables. The first table has general troubleshooting in-

formation, the second table contains the voltage levels and test points on the game print-

ed-circuit board, and the last table describes ROM-caused problems with specific ROMs to check and replace. The chapter also has instructions for removing and replacing the video display,

in addition to repair information for the joystick control.



**Table 3-1 Troubleshooting Table**

Problem	Suggested Action
<b>Coin Switch Problem</b>	<ol style="list-style-type: none"> <li>1. Check the wiring to the coin switch.</li> <li>2. Check the voltage to the + side of the coin switch.</li> <li>3. Test the coin switches with the sound test screen in the self-test.</li> </ol>
<b>Game Play Problem</b>	<ol style="list-style-type: none"> <li>1. Check the harness and connectors.</li> <li>2. Perform the self-test.</li> <li>3. Check the voltage levels on the PCB. See Table 3-2, <i>Voltage Inputs and Test Points</i>.</li> <li>4. Check <i>What ROM Problems Look Like</i>, Table 3-3, for specific ROM problems. See Figure 4-5 for ROM locations.</li> </ol>
<b>Joystick or Switch Problem</b>	<ol style="list-style-type: none"> <li>1. Have the joysticks been lubricated with the correct type of lubricant? If not, lubricate them as shown in Figure 4-2.</li> <li>2. Check the harnesses and connectors.</li> <li>3. Check the switches on the joystick control or on the control panel.</li> <li>4. If you took the joystick control apart, have you reassembled it correctly?</li> <li>5. Make sure all the parts on the joystick are in good repair. Repair or replace parts.</li> </ol>
<b>Sound Problem</b>	<ol style="list-style-type: none"> <li>1. Is the speaker volume turned up?</li> <li>2. Check the voltage on the JAMMA connector.</li> <li>3. Check the wiring from the PCB to the speaker.</li> <li>4. Check the voltage level to the PCB. See Table 3-2, <i>Voltage Inputs and Test Points</i>.</li> <li>5. Replace the speaker.</li> </ol>
<b>Video Display Problem</b>	<ol style="list-style-type: none"> <li>1. Is the game plugged in?</li> <li>2. Is the game turned on?</li> <li>3. Are the connections good?</li> <li>4. Is the line fuse good?</li> <li>5. Is the display brightness turned up?</li> <li>6. Are the connections on the line filter and transformer good?</li> <li>7. Are the connectors on the PCB tightly connected?</li> <li>8. Check all of the items below. If you answer <i>no</i> to any question, you have a problem with the video display, not with the game circuitry. See your video display service manual.             <ol style="list-style-type: none"> <li>a. Do you have power to the video display?</li> <li>b. Are the video display's filaments lit?</li> <li>c. Do you have high voltage to the video display?</li> </ol> </li> <li>9. Is the voltage level to the video display PCB correct? (Power voltage is 100 VAC or 110 VAC, depending on the type of video display. Video signal voltage is 0.5 to 3.5 Volts.)</li> <li>10. If the level is not correct, check the connectors and the harness.</li> </ol> <p>Only a colored screen appears. You probably have a serious RAM problem. See Table 3-5, <i>Colored Screens Indicating Bad RAMs</i>.</p> <p>Display area wavers or is too small. 1. Do you have voltage to the video display PCB? 2. Do you have high voltage to the video display?</p> <p>Picture is wavy. 1. Is the monitor ground connected to the monitor? 2. Are the sync inputs connected properly? Does your monitor need a separate positive sync?</p> <p>Picture is upside down. Switch the horizontal or vertical yoke wires on the display.</p> <p>Convergence, purity or color problems. Use the screens in the self-test to adjust the video display.</p> <p>Picture is not centered. Use the centering procedures in your video display manual.</p>

**Table 3-2 Voltage Inputs and Test Points on the PCBs**

Voltage	Test Point or LED	Source and Purpose
+5 ± 0.25 VDC	+5V1	Logic power from the switching power supply.
	CR1 LED	Lights when 5 V is applied to the Game PCB and the reset (RST) jumper is open.
	CR5 LED	Lights when the +12 V supply on the JSA Audio II PCB is good.
	CR4 LED	Lights when the -5 V supply on the JSA Audio II PCB is good.
+12V	+V0P (pin 4 of LM324)	+12 V from the switching power supply. Positive supply for the analog circuitry.
-5V	-V0P (pin 11 of LM324)	-5V from the switching power supply (if connected). Negative supply for the analog circuitry.

## Maintaining the Coin Mechanism

The coin mechanism should be cleaned every three months. For detailed parts information on the coin door, see Figure 4-3. To maintain the coin mechanism:

1. Turn off the power to the game. Open the upper coin door.
2. Open the gate on the door covering the magnet. Use the blade of a screwdriver to scrape away any metal filings collected on the magnet.
3. For a thorough cleaning, wash the coin mechanism in hot soapy water. Use a toothbrush to remove any stubborn build-up of residue in the coin path.
4. Dry the coin mechanism with compressed air.
5. If you do not want to use water, brush the loose dust off with a soft brush and scrub the residue in the coin path with a toothbrush. Blow out all the loose dust and dirt with compressed air.

### NOTE

*Never lubricate the coin mechanism with oil or grease.*

## Repairing the Video Display

The video display frame in this game is designed to be used with both horizontal- and vertical-mounting displays, as well as 19- and 25-inch displays.

### Removing the Video Display

If you have a problem with the video display, first run the self-test procedure to narrow down the cause. To make adjustments to the video display, unlock the service door on the rear of the cabinet.

If you want to repair the video display, remove it from the game by following this procedure:

1. Turn the game power off and wait two minutes. Unplug the power cord for safety.

2. While you wait, unlock the top service door on the rear of the cabinet.
3. Remove the three screws that attach the attraction shield retainer, and remove retainer, shield, and attraction film. Then remove the display shield, cardboard bezels, and cleats in front of the display.

### WARNING

#### High Voltage

*The video display contains lethal high voltages. To avoid injury, do not service this display until you observe all precautions necessary for working on high-voltage equipment.*

#### X-Radiation

*This video display is designed to minimize X-radiation. However, to avoid possible exposure to soft X-radiation, never modify the high-voltage circuitry.*

#### Implosion Hazard

*The cathode-ray tube (CRT) may implode if struck or dropped. The shattered glass from the tube may cause injury up to six feet away. Use care when handling the display and when removing it from the game cabinet. Also, wear gloves to protect your hands from the sheet-metal edges.*

4. Remove the four nuts and washers that secure the video display.
5. Discharge the high voltage from the cathode-ray tube (CRT). The display assembly contains a circuit for discharging the high voltage to ground when power is removed. However, to make certain, always discharge the display as follows:
  - a. Attach one end of a solid 18-gauge wire to a well-insulated screwdriver or wooden handle.
  - b. Attach the other end of the wire to an earth ground.

**Table 3-3 What ROM Problems Look Like**

<b>Problem</b>	<b>ROM Causing the Problem</b>	<b>Check the ROM at:</b>
Program works, but the motion objects or playfield are wrong.	Graphics	Playfield: 45M-130M. Motion Object High: 65N-130N. Motion Object Low: 65R-130R. Alphanumerics: 15L.
Garbage on screen; program doesn't work.	Processor Program ROM 0	10H 5D, 5B
Game program is erratic. No sound or erratic sound.	Program ROM 1 Audio ROM: Audio Program Audio ADPCM	15D, 15B 1B 7K, 7J, 7E, 7D

- c. Quickly touch the blade end of the screwdriver to the CRT anode by sliding it under the anode cap.
- d. Wait two minutes and repeat part c.
- 6. Disconnect the harness connectors from the video display.
- 7. Pull the video display assembly out of the cabinet. Be extremely careful.

**Replacing the Video Display**

Perform the following procedure to replace the video display in the cabinet.

1. Carefully lift the video display into the cabinet.
2. Install the nuts that hold the video display assembly.
3. Connect the power and signal harnesses to the video display.

If you replace the CRT and yoke together, adjust the brightness, size, and centering as described in the video display service manual. Check the purity and convergence according to that manual, but adjust both only if required.

4. Install the video display shield, bezel, and cleats. Replace the attraction film, shield, and retainer.
5. Lock the service door on the cabinet.

**Removing and Replacing the Joystick Control**

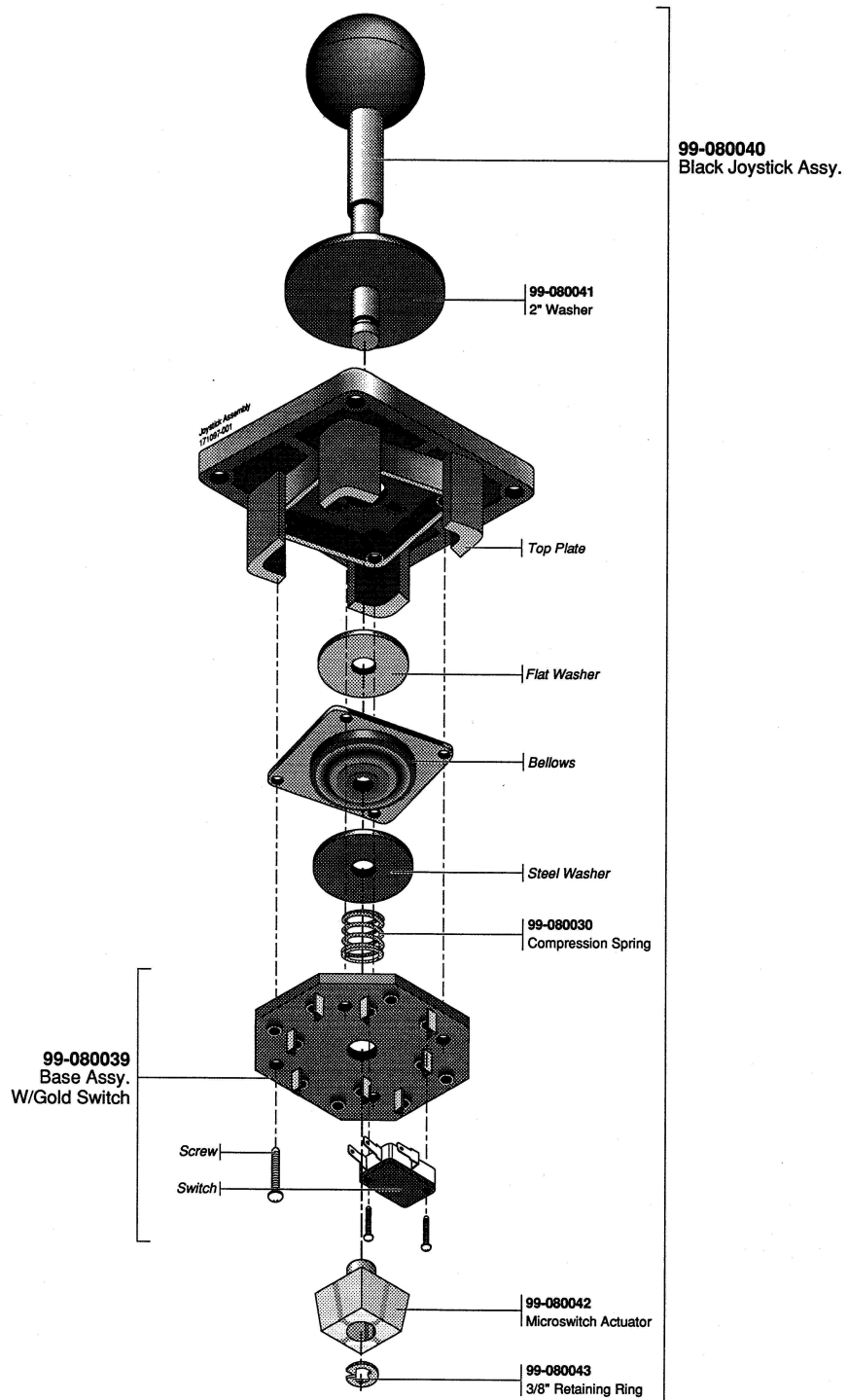
The joystick control is shown in Figure 3-1. If you want to repair the joystick control, disassemble it by removing it from the control panel. To repair the joystick, disassemble it by removing the retaining ring at the bottom of the shaft. To replace any of the four switches, remove the two screws that secure each switch.

**ROMs and RAMs**

If you think you have bad ROMs or RAMs, run the self-test. If you see only a colored screen and cannot enter the self-test, see Table 3-3. Also refer to Table 3-4 if you think you have a RAM problem.

**Table 3-4 Screen Colors Indicating Bad RAMs**

<b>Screen Color</b>	<b>RAM Error Location</b>
Red	Working RAM
Green	Playfield RAM
Blue	Motion Object RAM

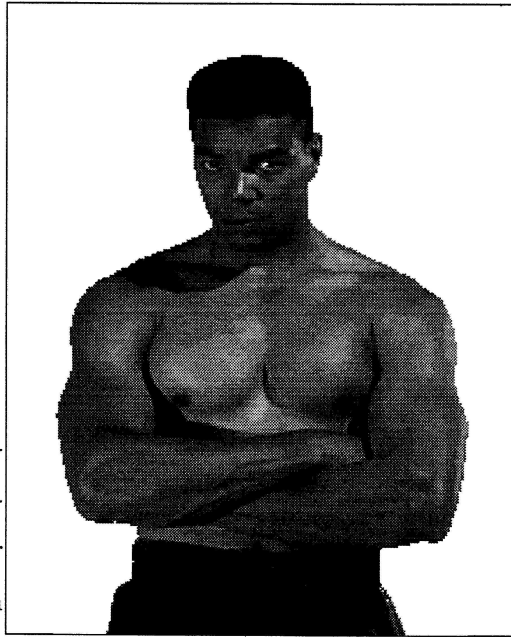


**Figure 3-1 Maintaining the Joystick Control**

# N O T E S



# Parts Illustrations



This chapter provides information you need to order replacement parts for your game. Common

hardware, such as screws, nuts, washers, are included in these parts illustrations. When you order parts, give the part number, part name, the number of this manual, and the

serial number of your game. With this information, we can fill your order rapidly and correctly. We

hope this will create less downtime and more profit from your games. Atari Games Customer Service phone numbers are listed on the inside front cover of this manual.

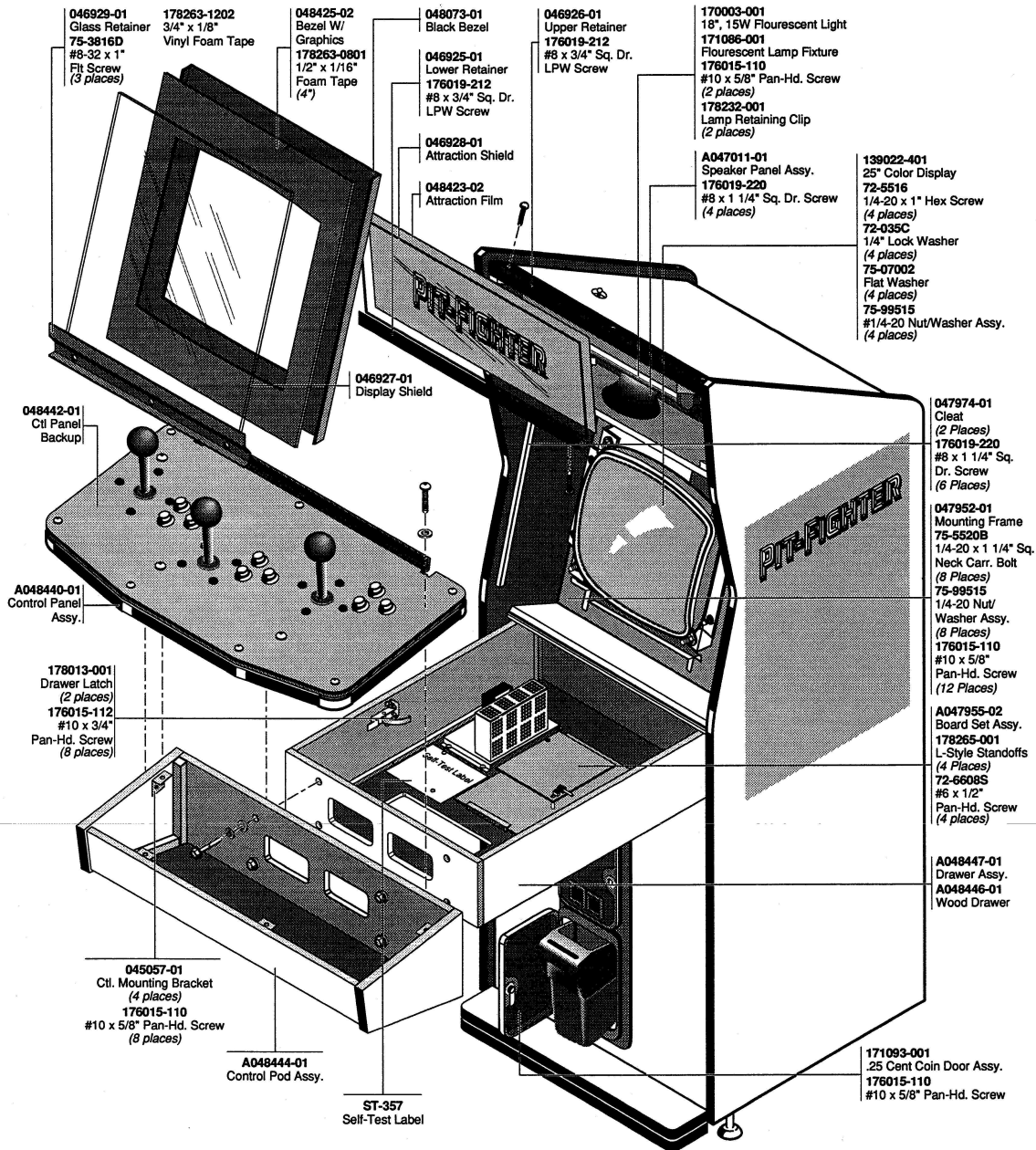
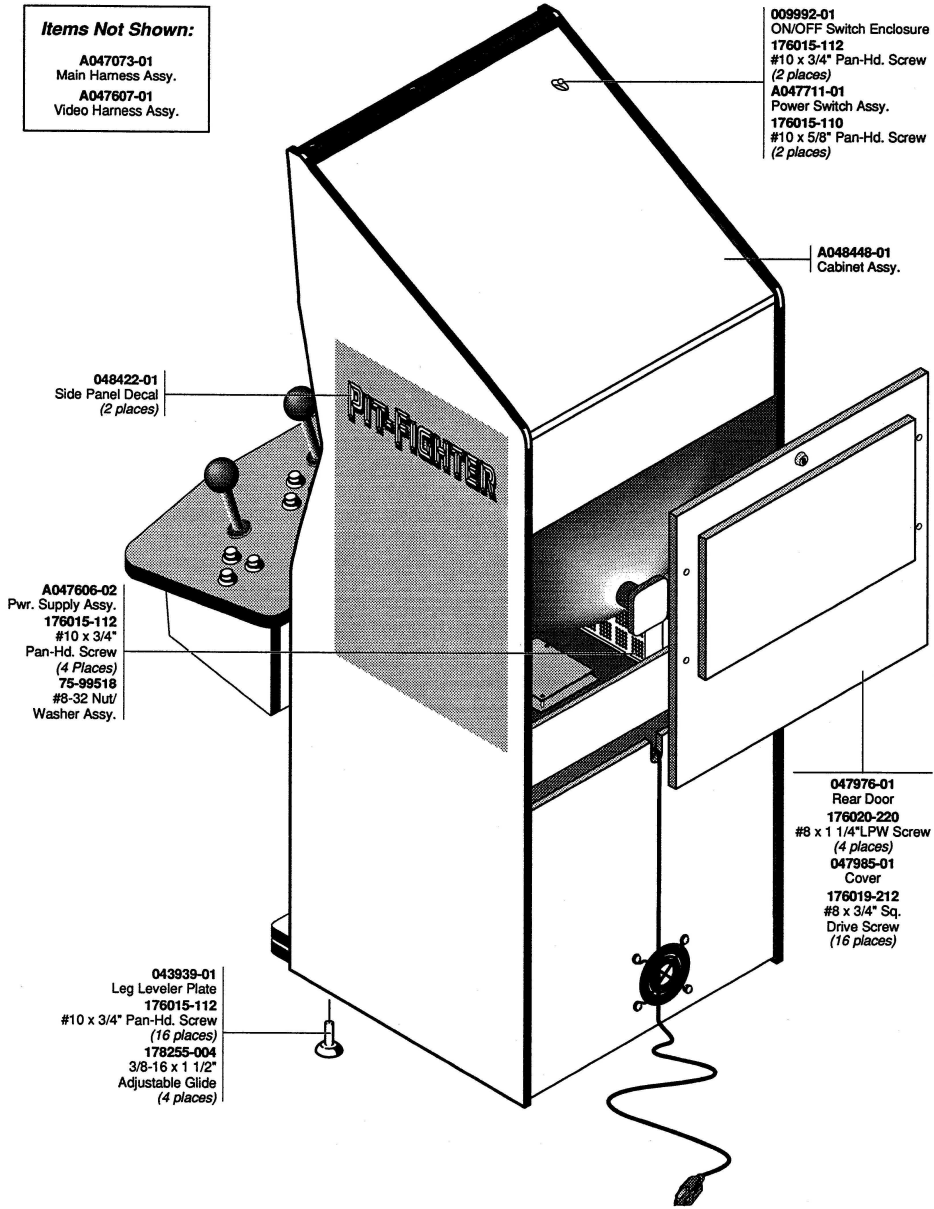
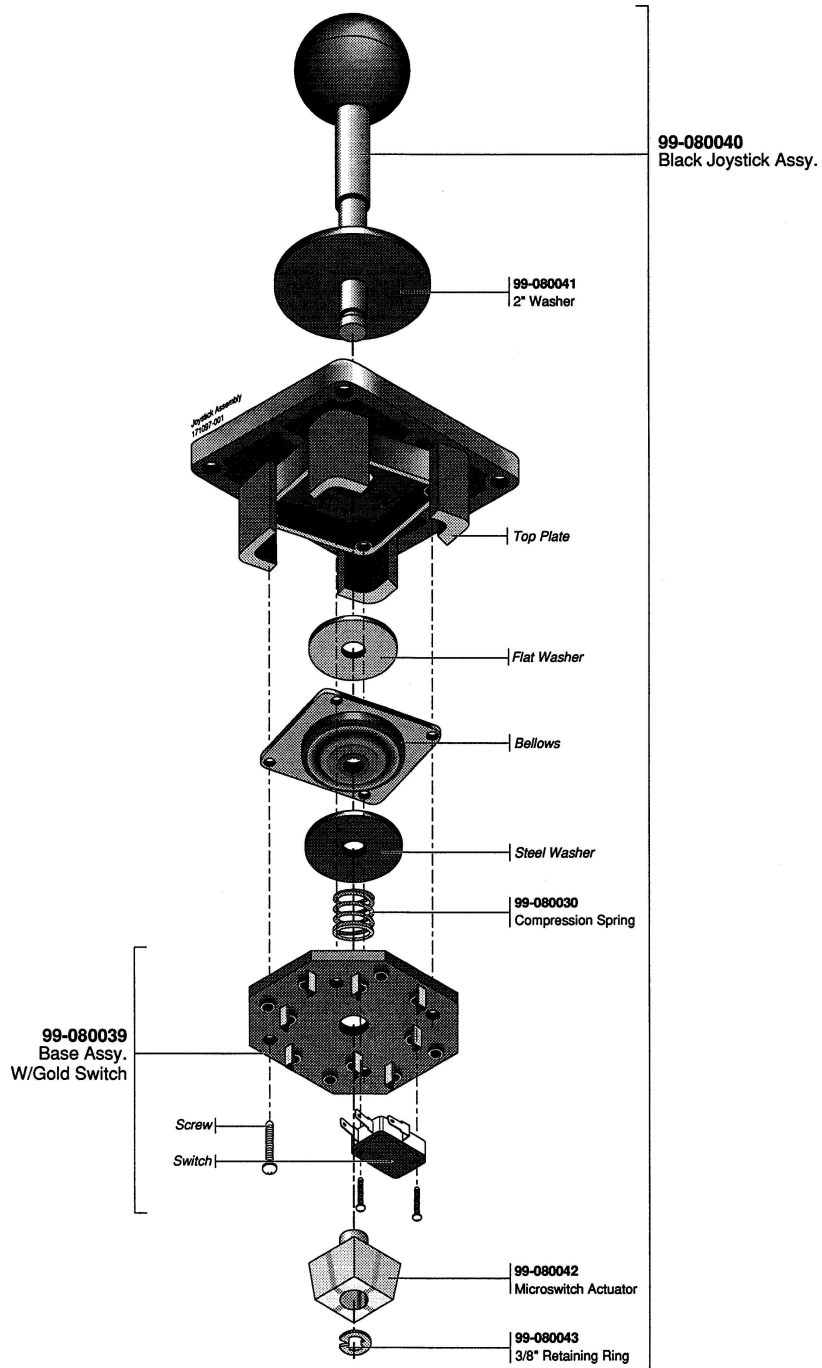


Figure 4-1 Cabinet-Mounted Assemblies, Front View  
A048450-01 C



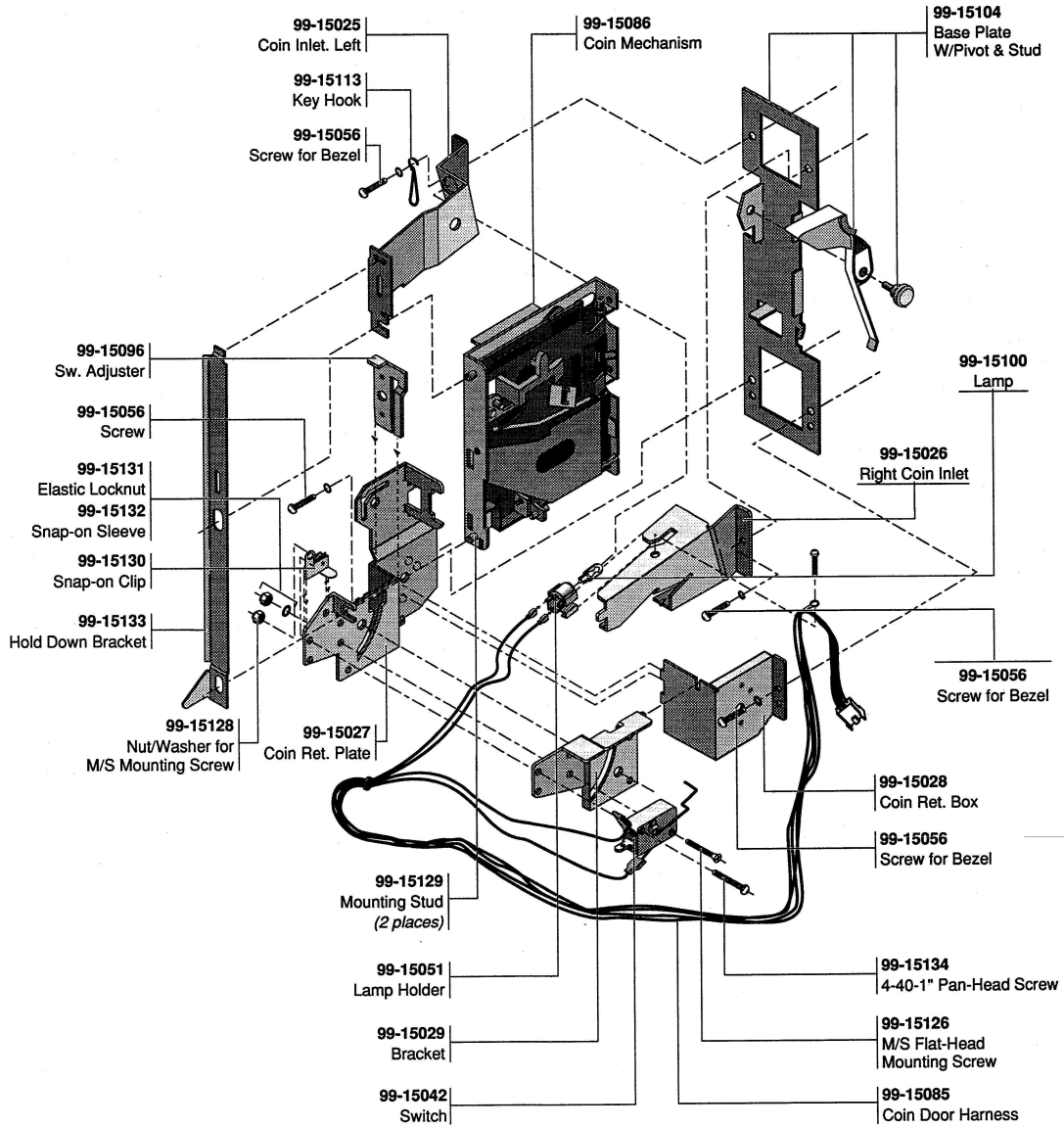
**Figure 4-1 Cabinet-Mounted Assemblies, Rear View  
A048450-01 C**



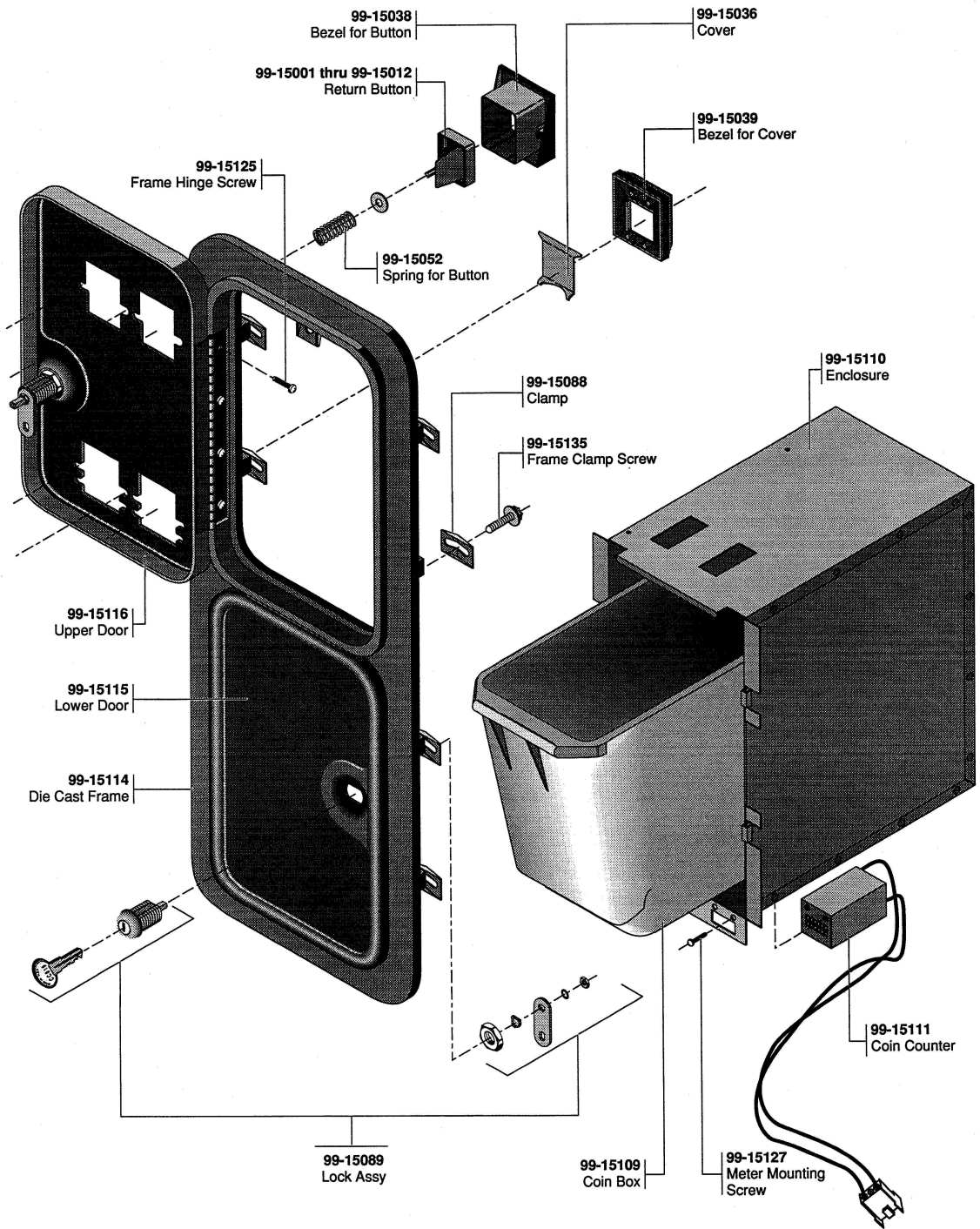
**Figure 4-2 Joystick Assembly**  
**171097-001**

# N O T E S



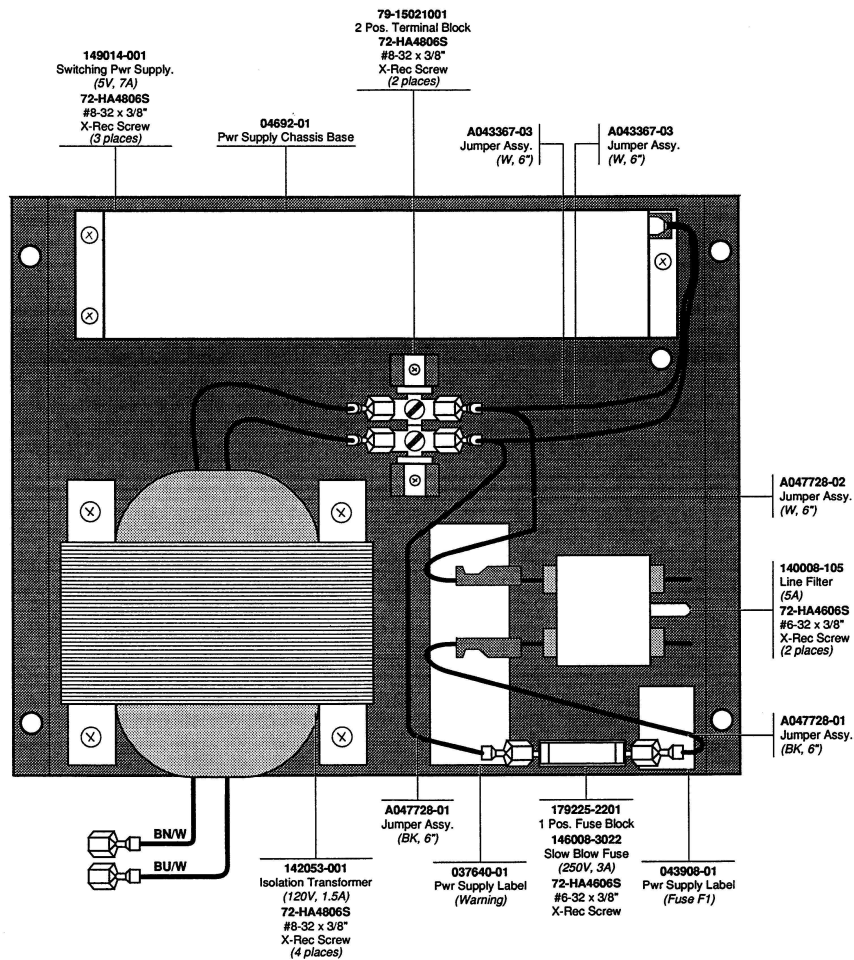


**Figure 4-3 Coin Controls, Inc. Coin Door Assembly  
171093-001**



**Figure 4-3 Coin Controls, Inc. Coin Door Assembly  
171093-001**

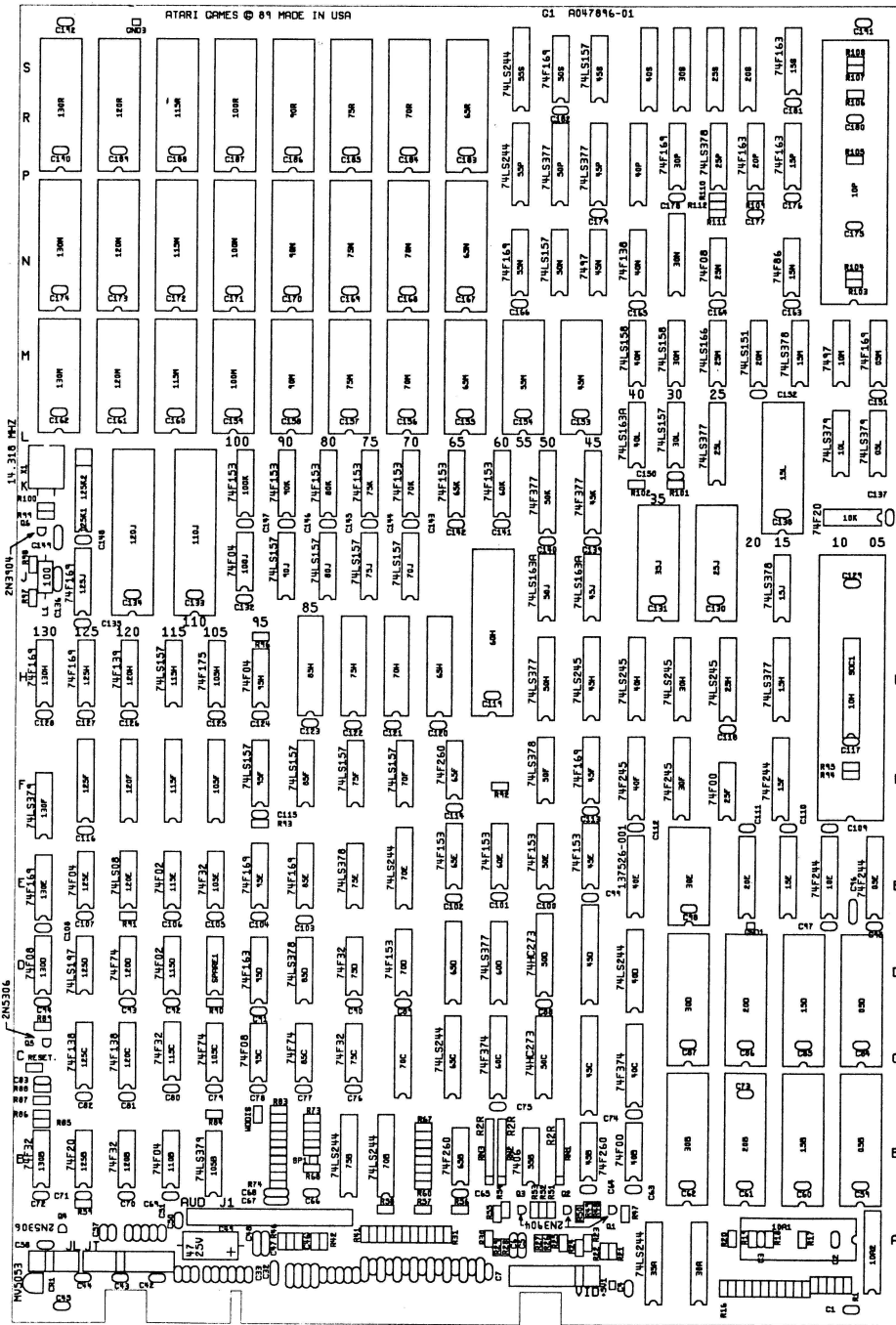
# N O T E S



**Figure 4-4 Power Supply Assembly (+5/-5/+12V)  
A047606-02 C**

**Power Supply Assembly  
Parts List**

Part No.	Description	Part No.	Description
046924-01	Power Supply Chassis Base	A043367-02	Jumper Assy. (Black, 6")
149014-001	5 Volt 7 Amp Switching Power Supply	A043367-03	Jumper Assy. (White, 6")
140008-105	5 Amp Line Filter	043908-01	Power Supply Fuse Label (F1)
A047728-02	Assy., Jumper (White, 6")	72-HA4606S	Screw, Thread-Rolling, Cross-Recessed, #6-32 x 3/8"
142053-001	Transformer, Isolation (120 Volt, 1.5 Amp)	72-HA4806S	Screw, Thread-Rolling, Cross-Recessed, #8-32 x 3/8"
79-15021001	Terminal Block, 2-Position	A047728-01	Assy., Jumper (Black, 6")
179225-2201	Fuse Block, 1-Position		
146008-3022	Fuse, 3 Amp, Slow-Blow, 250 Volt		



**NOTE**

The Pit-Fighter Board Set Assembly (part no. A047955-02) consists of:

- A047896-02, Pit-Fighter Game PCB Assy. (this illustration)
- A047184-05, JSA Audio II PCB Assy.
- 178278-616, #6 Threaded PCB Support Standoffs
- 177000-536, #6-32 Nylon Nut

Your Pit-Fighter Game PCB may contain 4-MB ROMs. A manual supplement with a parts list for the 4-MB ROM version is available from Atari Games Customer Service. Contact them at the locations listed on the inside front cover of this manual.

The schematic published in Chapter 5 of this manual applies to both versions of the Game PCB.

Figure 4-5 Pit-Fighter Game PCB Assembly  
A047896-02 A (1-MB EPROM Version)

### Pit-Fighter Game PCB Assembly Parts List

Designator	Description	Part No.	Designator	Description	Part No.
	<b>Sockets</b>				
	Socket, 20 Pin, .300"	179259-020	40D	IC, 74LS244	137038-001
	Socket, 24 Pin, .600"	179257-024	40E	IC, SCUM	137526-001
	Socket, 28 Pin, .600"	179257-028	40F	IC, 74F245	137591-001
	Socket, 32 Pin, .600"	179257-032	40H	IC, 74LS245	137134-001
	Socket, 40 Pin, .600"	179257-040	40L	IC, 74LS163 A	137114-001
	Socket, 64 Pin, .900"	179256-064	40M	IC, 74LS158	137203-001
	<b>Integrated Circuits</b>				
5B	IC, EPROM, 27C512	136081-1029	40N	IC, 74F138	137521-001
5D	IC, EPROM, 27C512	136081-1028	40P	IC, GAL16V8	136079-1045
5E	IC, 74F244	137502-001	40S	IC, GAL16V8	136079-1047
5L	IC, 74LS379	137374-001	45B	IC, 74F260	137570-001
5M	IC, 74F169	137496-001	45C, 45D	IC, RAM, 2K x 8, 35 nsec, .3	137534-001
10A2	IC, 74LS244	137038-001	45E	IC, 74F153	137492-001
10E	IC, 74F244	137502-001	45F	IC, 74F169	137496-001
10H	IC, MC68HC000P12F, L12F	137669-0001	45H	IC, 74LS245	137134-001
10K	IC, 74F20	137530-001	45J	IC, 74LS163 A	137114-001
10L	IC, 74LS379	137374-001	45K	IC, 74F377	137622-001
10M	IC, 7497	137090-001	45M	IC, OTP, 27C512	136081-1025
10P	IC	136079-1053	45N	IC, 7497	137090-001
15B	IC, EPROM, 27C512	136081-1031	45P	IC, 74LS377	137145-001
15D	IC, EPROM, 27C512	136081-1030	45S	IC, 74LS157	137029-001
15E	IC, GAL16V8	136079-1043	50C, 50D	IC, 74HC273	137556-001
15F	IC, 74F244	137502-001	50E	IC, 74F153	137492-001
15H	IC, 74LS377	137145-001	50F	IC, 74LS378	137305-001
15J	IC, 74LS378	137305-001	50H	IC, 74LS377	137145-001
15L	IC, OTP, 27C512	136081-1027	50J	IC, 74LS163 A	137114-001
15M	IC, 74LS378	137305-001	50K	IC, 74F377	137622-001
15N	IC, 74F86	137649-001	50N	IC, 74LS157	137029-001
15P, 15S	IC, 74F163	137345-001	50P	IC, 74LS377	137145-001
20E	IC, Slapstic 111	137412-111	50S	IC, 74F169	137496-001
20M	IC, 74LS151	137101-001	55B	IC, 7406	137052-001
20P	IC, 74F163	137345-001	55N	IC, 74F169	137496-001
20S	IC, PROM	136079-1040	55P, 55S	IC, 74LS244	137038-001
25F	IC, 74F00	137327-001	60C	IC, 74F374	137420-001
25H	IC, 74LS245	137134-001	60D	IC, 74LS377	137145-001
25J	IC, RAM, 32K x 8, 70 nsec	137615-070	60E	IC, 74F153	137492-001
25L	IC, 74LS377	137145-001	60H	IC, PFHS	137419-104
25M	IC, 74LS166	137118-001	60K	IC, 74F153	137492-001
25N	IC, 74F08	137483-001	65B	IC, 74F260	137570-001
25P	IC, 74LS378	137305-001	65C	IC, 74LS244	137038-001
25S	IC, PROM	136079-1041	65D	IC, GAL16V8	136079-1046
30E	IC, 28C16-300, 300 nsec	137648-300	65E	IC, 74F153	137492-001
30F	IC, 74F245	137591-001	65F	IC, 74F260	137570-001
30H	IC, 74LS245	137134-001	65H	IC, VRAM, 64K x 4, 120 nsec	137553-001
30L	IC, 74LS157	137029-001	65K	IC, 74F153	137492-001
30M	IC, 74LS158	137203-001	65N	IC, EPROM, 27C010	136081-1002
30N	IC, GAL16V8	136079-1052	65R	IC, EPROM, 27C010	136081-1001
30P	IC, 74F169	137496-001	70B	IC, 74LS244	137038-001
30S	IC, PROM	136079-1042	70D	IC, 74F153	137492-001
35A	IC, 74LS244	137038-001	70E	IC, 74LS244	137038-001
35J	IC, RAM, 32K x 8, 70 nsec	137615-070	70F	IC, 74LS157	137029-001
40B	IC, 74F00	137327-001	70H	IC, VRAM, 64K x 4, 120 nsec	137553-001
40C	IC, 74F374	137420-001	70J	IC, 74LS157	137029-001
			70K	IC, 74F153	137492-001





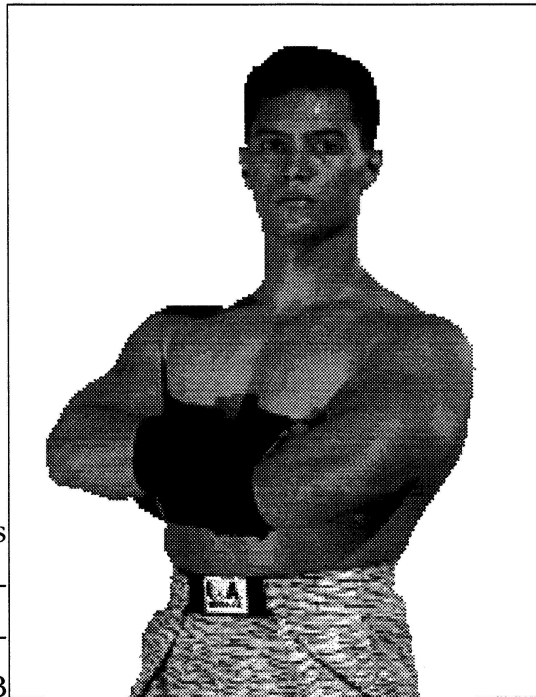
### Pit-Fighter Game PCB Assembly Parts List, Continued

Designator	Description	Part No.	Designator	Description	Part No.
C23-C27	Capacitor, .1 $\mu$ F, 50 V, +80%-20%, Ceramic	122002-104	R20	Resistor, 10 K $\Omega$ , $\pm$ 5%, 1/8 W	110027-103
C28-C32	Capacitor, 100 pF, 100 V, $\pm$ 5%, Ceramic	122016-101	R21	Resistor, 100 $\Omega$ , $\pm$ 5%, 1/8 W	110027-101
C33-C46	Capacitor, .1 $\mu$ F, 50 V, +80%-20%, Ceramic	122002-104	R22	Resistor, 47 $\Omega$ , $\pm$ 5%, 1/8 W	110027-470
C47, C48	Capacitor, 100 pF, 100 V, $\pm$ 5%, Ceramic	122016-101	R23	Resistor, 100 $\Omega$ , $\pm$ 5%, 1/8 W	110027-101
C49	Capacitor, 47 $\mu$ F, 25 V, Electrolytic	124009-476	R24, R25	Resistor, 47 $\Omega$ , $\pm$ 5%, 1/8 W	110027-470
C50-C66	Capacitor, .1 $\mu$ F, 50 V, +80%-20%, Ceramic	122002-104	R26	Resistor, 100 $\Omega$ , $\pm$ 5%, 1/8 W	110027-101
C67, C68	Capacitor, 100 pF, 100 V, $\pm$ 5%, Ceramic	122016-101	R27-R29	Resistor, 220 $\Omega$ , $\pm$ 5%, 1/8 W	110027-221
C69-C95, C97-C135	Capacitor, .1 $\mu$ F, 50 V, +80%-20%, Ceramic	122002-104	R30-R34, R36-R38, R40	Resistor, 470 $\Omega$ , $\pm$ 5%, 1/8 W	110027-471
C136	Capacitor, 100 pF, 100 V, $\pm$ 5%, Ceramic	122016-101	R42, R43	Resistor, 10 $\Omega$ , $\pm$ 5%, 1/8 W	110027-100
C137-C148	Capacitor, .1 $\mu$ F, 50 V, +80%-20%, Ceramic	122002-104	R44-R46	Resistor, 470 $\Omega$ , $\pm$ 5%, 1/8 W	110027-471
C149	Capacitor, 100 pF, 100 V, $\pm$ 5%, Ceramic	122016-101	R47	Resistor, 47 $\Omega$ , $\pm$ 5%, 1/8 W	110027-470
C150-C192	Capacitor, .1 $\mu$ F, 50 V, +80%-20%, Ceramic	122002-104	R48	Resistor, 2.2 K $\Omega$ , $\pm$ 5%, 1/8 W	110027-222
	<b>Miscellaneous</b>		R49	Resistor, 1 K $\Omega$ , $\pm$ 5%, 1/8 W	110027-102
CR1	Diode, MV5053, Light Emitting	131027-002	R50	Resistor, 47 $\Omega$ , $\pm$ 5%, 1/8 W	110027-470
++1005V1	Test Point	179051-001	R51	Resistor, 2.2 K $\Omega$ , $\pm$ 5%, 1/8 W	110027-222
GND1, GND3	Test Point	179051-001	R52	Resistor, 1 K $\Omega$ , $\pm$ 5%, 1/8 W	110027-102
L1	Inductor, 100 $\mu$ H	141024-001	R53	Resistor, 47 $\Omega$ , $\pm$ 5%, 1/8 W	110027-470
	<b>Connectors</b>		R54	Resistor, 2.2 K $\Omega$ , $\pm$ 5%, 1/8 W	110027-222
AUD(J1)	Conn, 40 Ckt, .1 x .1 Hdr	179291-040	R55-R57	Resistor, 1 K $\Omega$ , $\pm$ 5%, 1/8 W	110027-102
JL	Conn, 6 Ckt, Hdr, .100 Ctr, Key 4	179118-006	R58	Resistor, 470 $\Omega$ , $\pm$ 5%, 1/8 W	110027-471
JT	Conn, 11 Ckt, Hdr, .100 Ctr, Key 2	179118-011	R59-R69	Resistor, 1 K $\Omega$ , $\pm$ 5%, 1/8 W	110027-102
RESET.	Conn, 2 Ckt, Hdr, .100 Ctr	179048-002	R70	Resistor, 470 $\Omega$ , $\pm$ 5%, 1/8 W	110027-471
VID	Conn, 11 Ckt, Hdr, .100 Ctr, Key 3	179118-011	R71	Resistor, 1 K $\Omega$ , $\pm$ 5%, 1/8 W	110027-102
WDDIS	Conn, 2 Ckt, Hdr, .100 Ctr	179048-002	R72	Resistor, 470 $\Omega$ , $\pm$ 5%, 1/8 W	110027-471
	<b>Transistors</b>		R73, R74	Resistor, 1 K $\Omega$ , $\pm$ 5%, 1/8 W	110027-102
Q1-Q3	Transistor, 2N3904	133041-001	R75, R76	Resistor, 470 $\Omega$ , $\pm$ 5%, 1/8 W	110027-471
Q4, Q5	Transistor, 2N5306	133033-001	R77	Resistor, 1 K $\Omega$ , $\pm$ 5%, 1/8 W	110027-102
Q6	Transistor, 2N3904	133041-001	R78	Resistor, 470 $\Omega$ , $\pm$ 5%, 1/8 W	110027-471
	<b>Resistors</b>		R79	Resistor, 1 K $\Omega$ , $\pm$ 5%, 1/8 W	110027-102
R1-R4	Resistor, 10 K $\Omega$ , $\pm$ 5%, 1/8 W	110027-103	R80	Resistor, 470 $\Omega$ , $\pm$ 5%, 1/8 W	110027-471
R5	Resistor, 470 $\Omega$ , $\pm$ 5%, 1/8 W	110027-471	R81	Resistor, 1 K $\Omega$ , $\pm$ 5%, 1/8 W	110027-102
R6	Resistor, 10 K $\Omega$ , $\pm$ 5%, 1/8 W	110027-103	R82	Resistor, 470 $\Omega$ , $\pm$ 5%, 1/8 W	110027-471
R7	Resistor, 470 $\Omega$ , $\pm$ 5%, 1/8 W	110027-471	R83	Resistor, 10 K $\Omega$ , $\pm$ 5%, 1/8 W	110027-103
R8, R9	Resistor, 10 K $\Omega$ , $\pm$ 5%, 1/8 W	110027-103	R85	Resistor, 1 K $\Omega$ , $\pm$ 5%, 1/8 W	110027-102
R10	Resistor, 470 $\Omega$ , $\pm$ 5%, 1/8 W	110027-471	R86, R87	Resistor, 10 $\Omega$ , $\pm$ 5%, 1/8 W	110027-100
R11	Resistor, 10 K $\Omega$ , $\pm$ 5%, 1/8 W	110027-103	R88	Resistor, 100 K $\Omega$ , $\pm$ 5%, 1/8 W	110027-104
R12	Resistor, 470 $\Omega$ , $\pm$ 5%, 1/8 W	110027-471	R89	Resistor, 220 $\Omega$ , $\pm$ 5%, 1/8 W	110027-221
R13-R16	Resistor, 1 K $\Omega$ , $\pm$ 5%, 1/8 W	110027-102	R90	Resistor, 10 $\Omega$ , $\pm$ 5%, 1/8 W	110027-100
R17, R18	Resistor, 100 $\Omega$ , $\pm$ 5%, 1/8 W	110027-101	R91	Resistor, 1 K $\Omega$ , $\pm$ 5%, 1/8 W	110027-102
R19	Resistor, 220 $\Omega$ , $\pm$ 5%, 1/8 W	110027-221	R92	Resistor, 10 $\Omega$ , $\pm$ 5%, 1/8 W	110027-100
			R94-R96	Resistor, 1 K $\Omega$ , $\pm$ 5%, 1/8 W	110027-102
			R97, R98	Resistor, 100 $\Omega$ , $\pm$ 5%, 1/8 W	110027-101
			R99, R100	Resistor, 10 K $\Omega$ , $\pm$ 5%, 1/8 W	110027-103
			R101	Resistor, 10 $\Omega$ , $\pm$ 5%, 1/8 W	110027-100
			R103-R105	Resistor, 1 K $\Omega$ , $\pm$ 5%, 1/8 W	110027-102
			R106	Resistor, 470 $\Omega$ , $\pm$ 5%, 1/8 W	110027-471
			R107, R108	Resistor, 1 K $\Omega$ , $\pm$ 5%, 1/8 W	110027-102
			RN1-RN3	Resistor Network, R2R	118016-001

**JSA Audio II PCB Assembly  
Parts List, Continued**

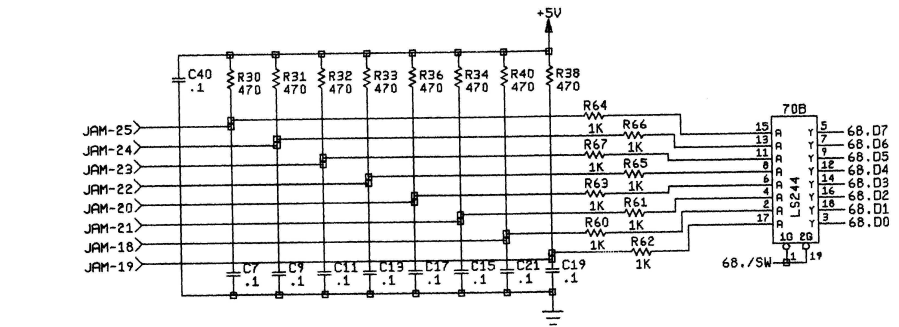
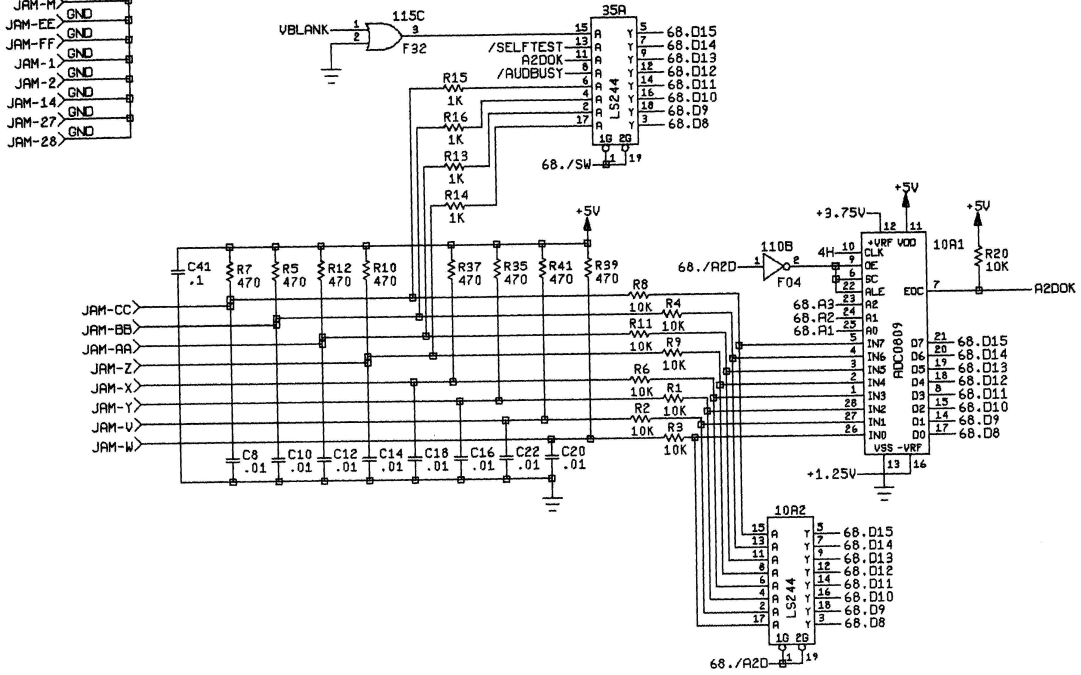
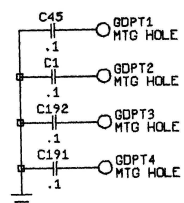
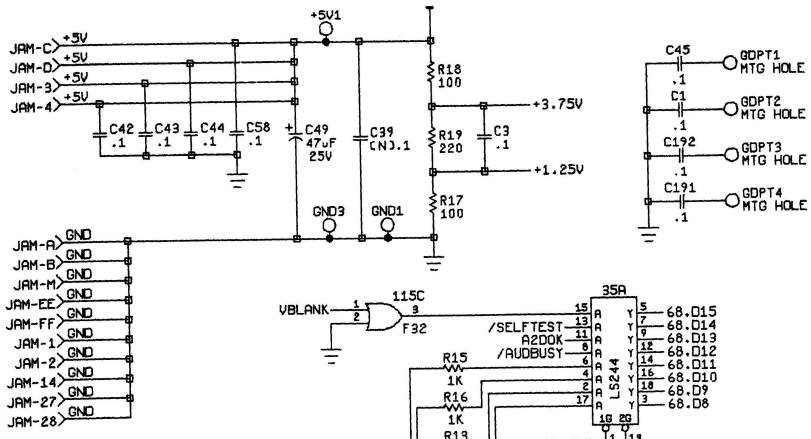
<b>Designator</b>	<b>Description</b>	<b>Part No.</b>	<b>Designator</b>	<b>Description</b>	<b>Part No.</b>
R34	Resistor, 150 K $\Omega$ , $\pm$ 5%, 1/8 W	110027-154	R51	Resistor, 1.2 K $\Omega$ , $\pm$ 5%, 1/8 W	110027-122
R35	Resistor, 470 $\Omega$ , $\pm$ 5%, 1/8 W	110027-471	R52	Resistor, 470 $\Omega$ , $\pm$ 5%, 1/8 W	110027-471
R36	Resistor, 560 $\Omega$ , $\pm$ 5%, 1/8 W	110027-561	R53	Resistor, 100 K $\Omega$ , $\pm$ 5%, 1/8 W	110027-104
R37	Resistor, 3.3 K $\Omega$ , $\pm$ 5%, 1/8 W	110027-332	R54	Resistor, 6.8 K $\Omega$ , $\pm$ 5%, 1/8 W	110027-682
R38, R39	Resistor, 12 K $\Omega$ , $\pm$ 5%, 1/8 W	110027-123	R56	Resistor, 20 K $\Omega$ , $\pm$ 5%, 1/8 W	110027-203
R40	Resistor, 20 K $\Omega$ , $\pm$ 5%, 1/8 W	110027-203	R57	Resistor, 10 K $\Omega$ , $\pm$ 5%, 1/8 W	110027-103
R42	Resistor, 100 K $\Omega$ , $\pm$ 5%, 1/8 W	110027-104	R58	Resistor, 6.8 K $\Omega$ , $\pm$ 5%, 1/8 W	110027-682
R43	Resistor, 2 K $\Omega$ , $\pm$ 5%, 1/8 W	110027-202	R59	Resistor, 16 K $\Omega$ , $\pm$ 5%, 1/8 W	110027-163
R44	Resistor, 10 K $\Omega$ , $\pm$ 5%, 1/8 W	110027-103	R60	Potentiometer, 10 K $\Omega$ , Horizontal	119022-103
R45	Resistor, 68 K $\Omega$ , $\pm$ 5%, 1/8 W	110027-683	R61	Resistor, 15 K $\Omega$ , $\pm$ 5%, 1/8 W	110027-153
R46	Resistor, 15 K $\Omega$ , $\pm$ 5%, 1/8 W	110027-153	R62, R63	Resistor, 47 K $\Omega$ , $\pm$ 5%, 1/8 W	110027-473
R47	Resistor, 33 K $\Omega$ , $\pm$ 5%, 1/8 W	110027-333	R64	Resistor, 68 K $\Omega$ , $\pm$ 5%, 1/8 W	110027-683
R48	Resistor, 1 K $\Omega$ , $\pm$ 5%, 1/8 W	110027-102	R65	Resistor, 33 K $\Omega$ , $\pm$ 5%, 1/8 W	110027-333
R49, R50	Resistor, 10 K $\Omega$ , $\pm$ 5%, 1/8 W	110027-103	R66	Resistor, 1 K $\Omega$ , $\pm$ 5%, 1/8 W	110027-102

# Schematic Diagrams



This chapter contains the schematics diagrams for your Pit-Fighter™ game PCB and the JSA Audio II PCB. The game

wiring diagram is also included. The two PCB assembly drawings are illustrated in Chapter 4 of this manual.









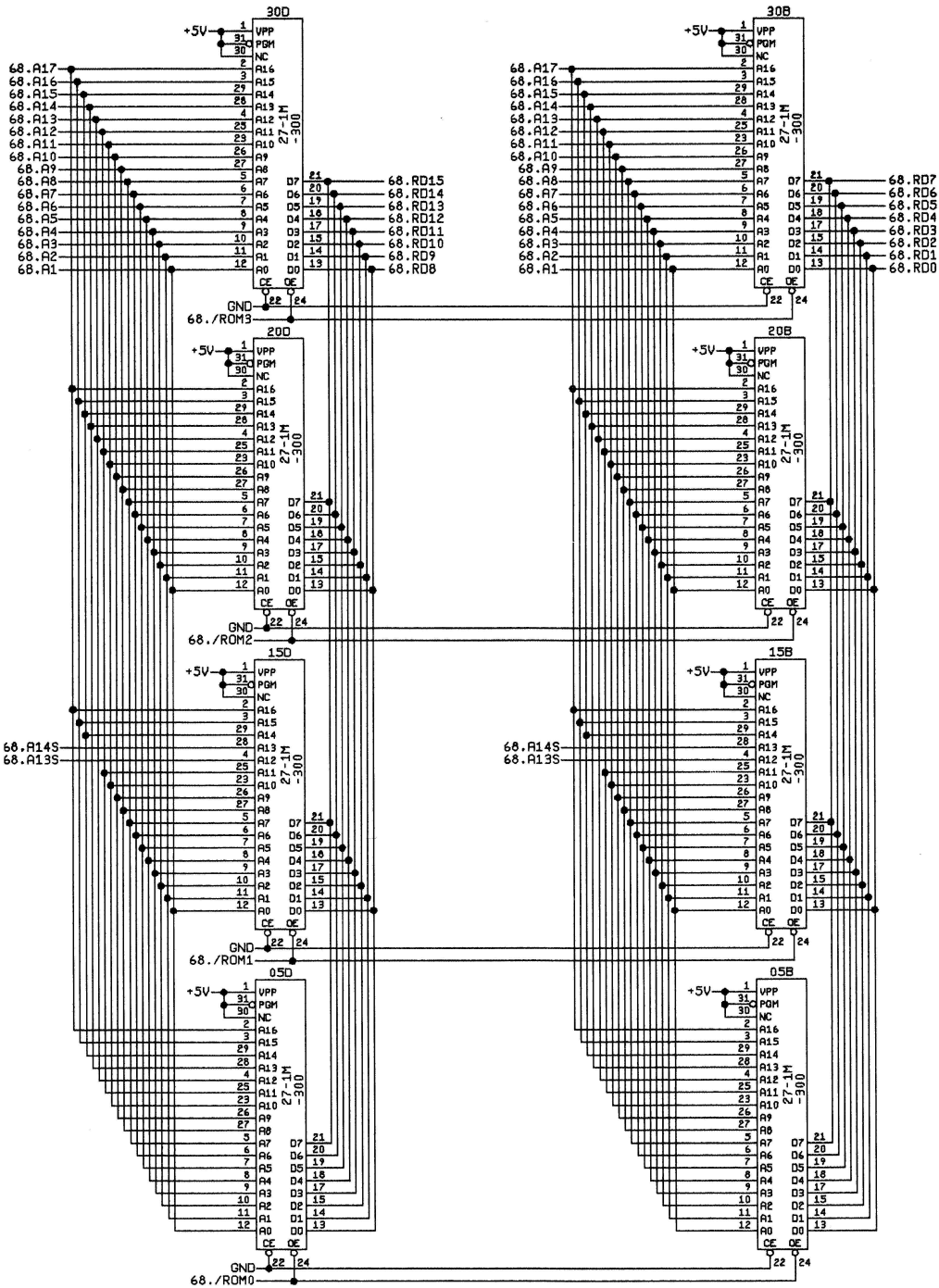
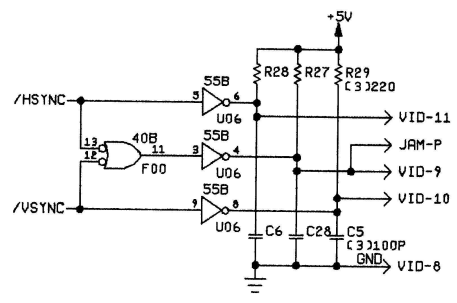
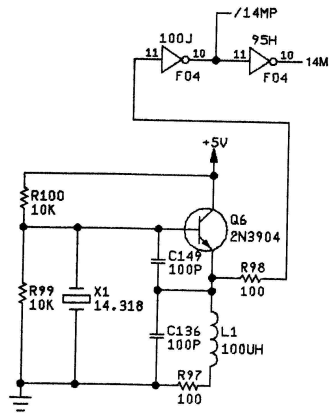


Figure 5-1 Pit-Fighter Game PCB Assembly Schematic Diagram

045977-01 F



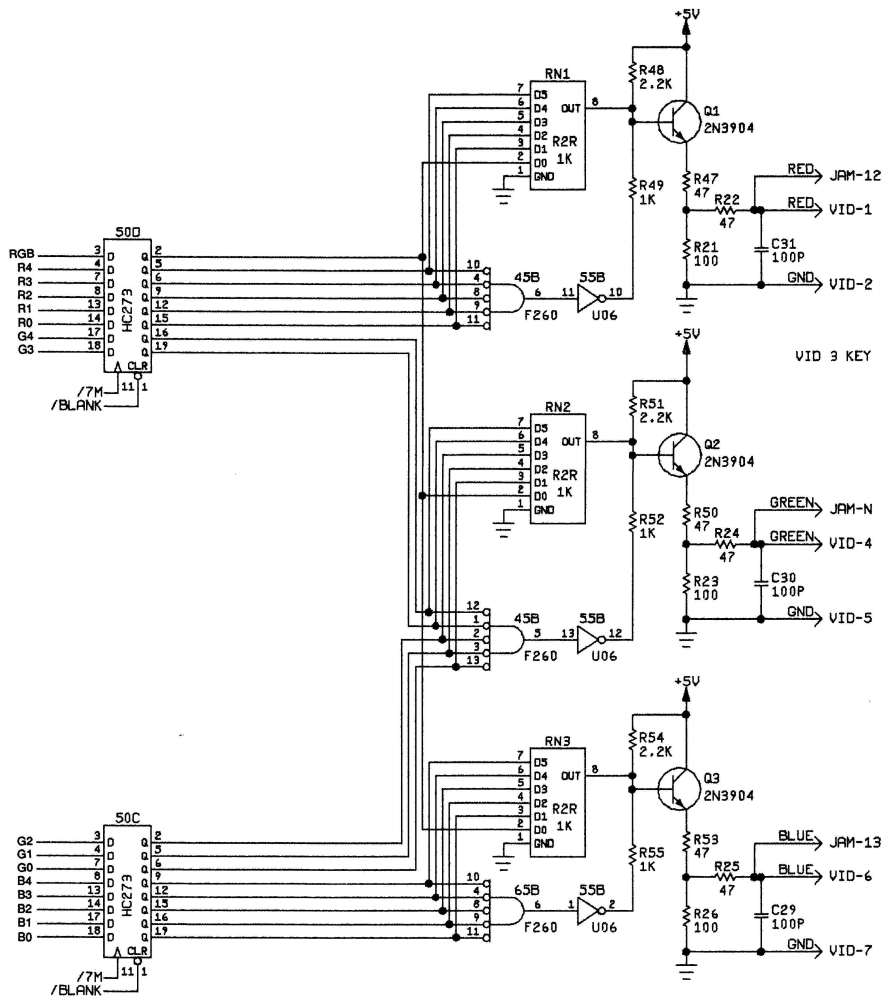
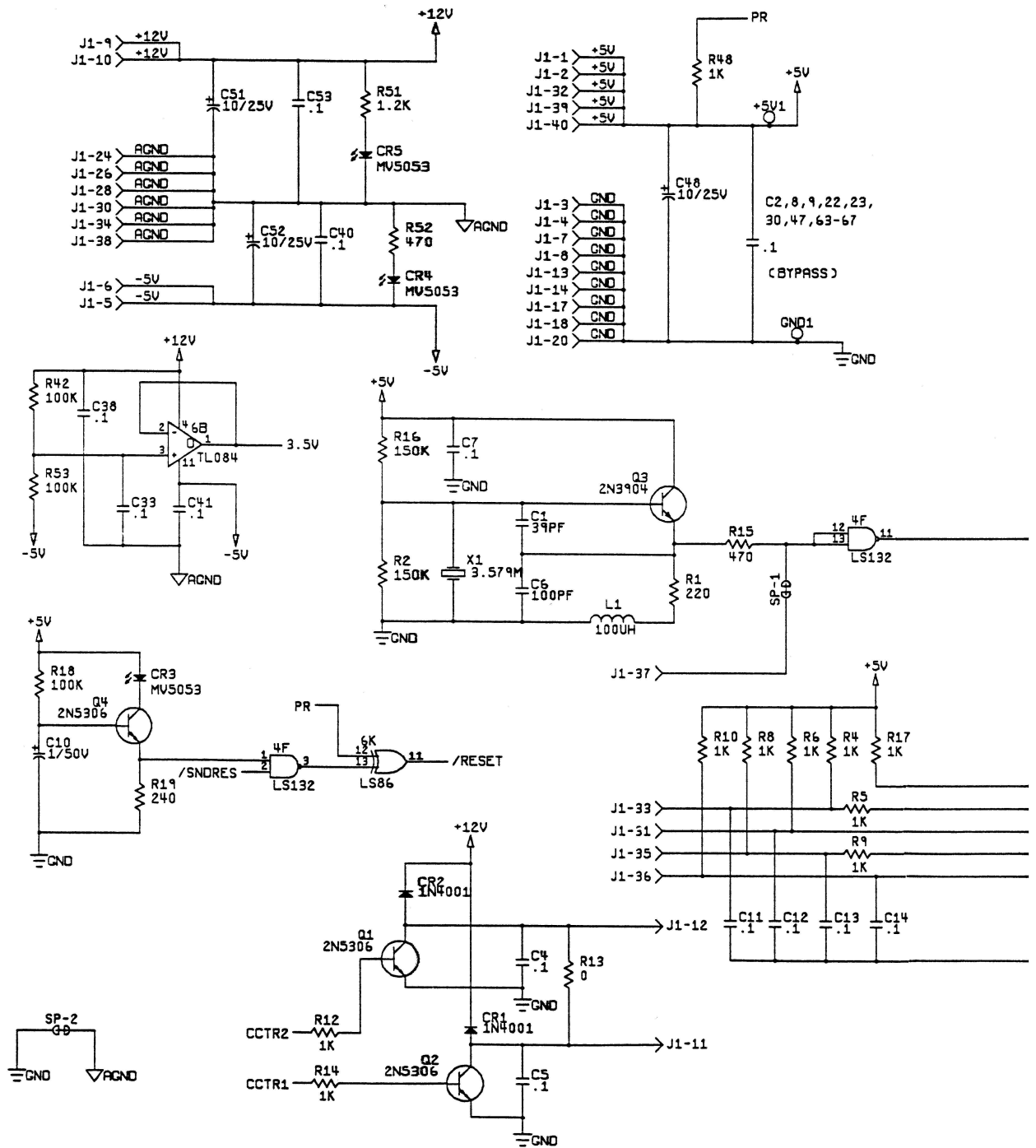


Figure 5-1 Pit-Fighter Game PCB Assembly Schematic Diagram

045977-01 F



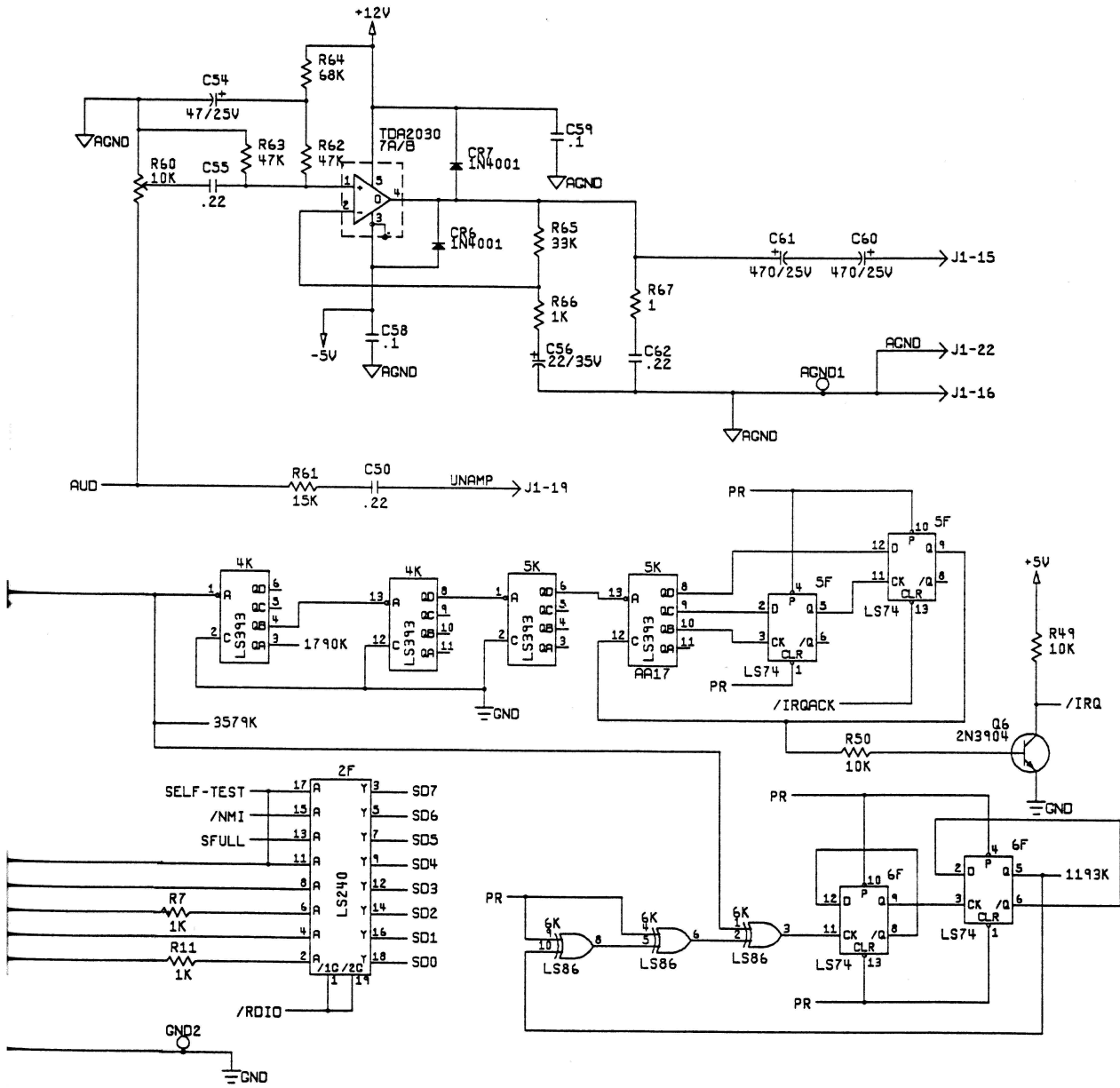
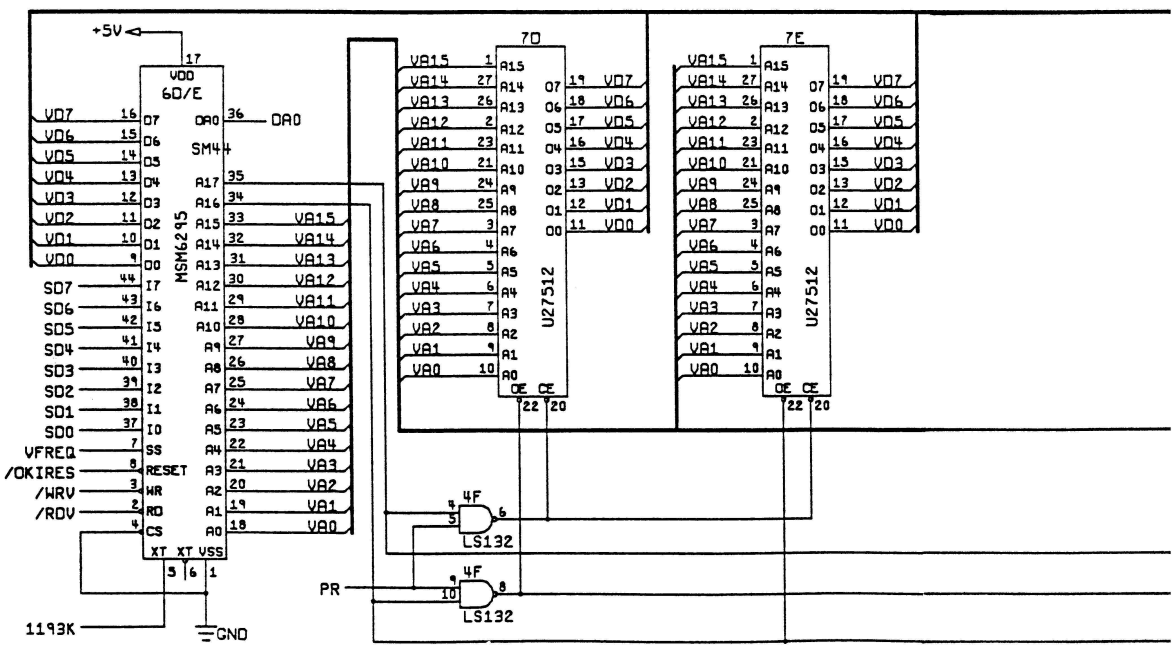
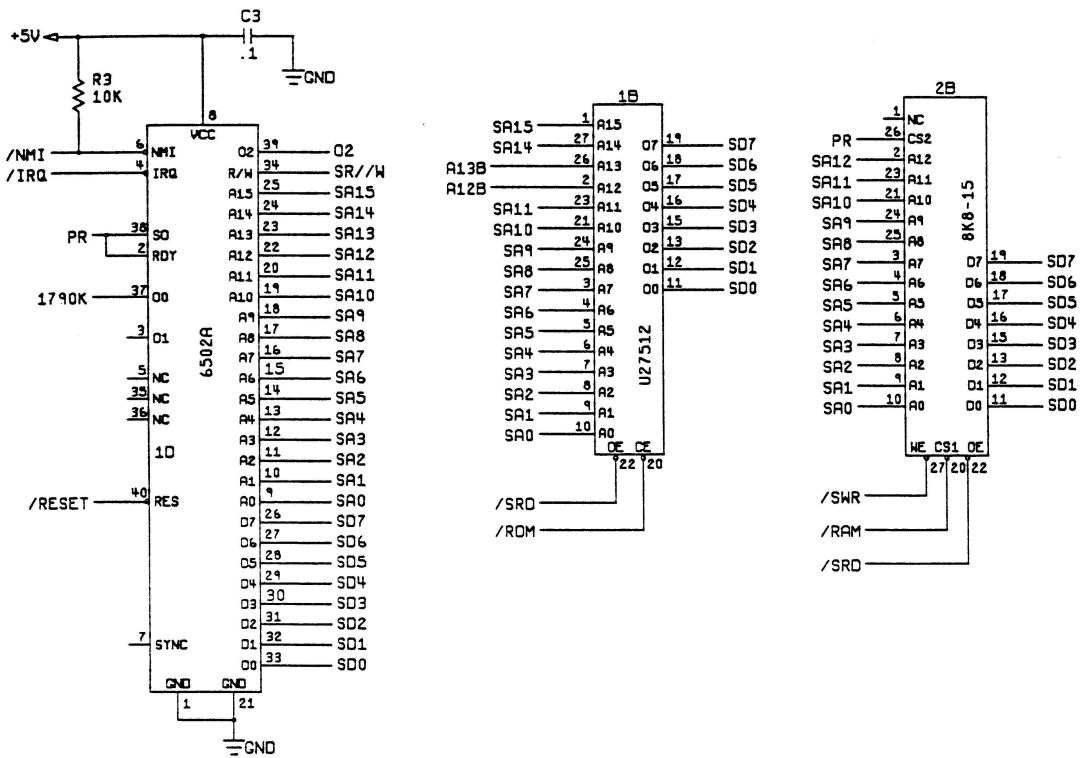


Figure 5-2 JSA Audio II PCB Assembly Schematic Diagram

046487-01 E





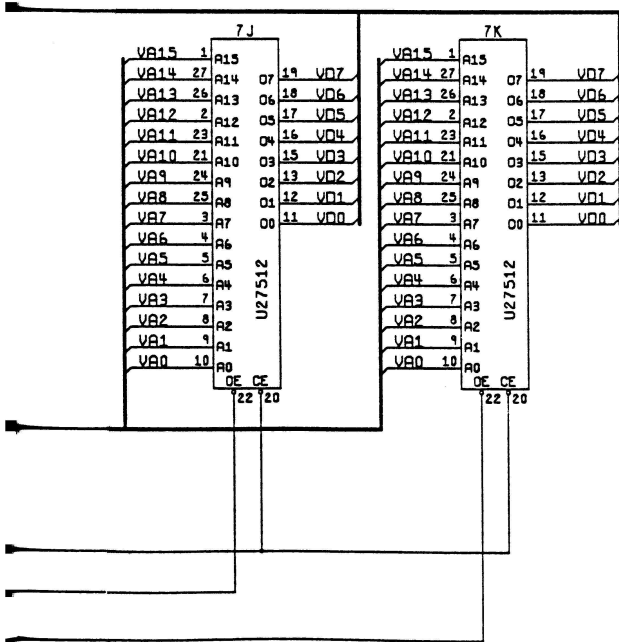
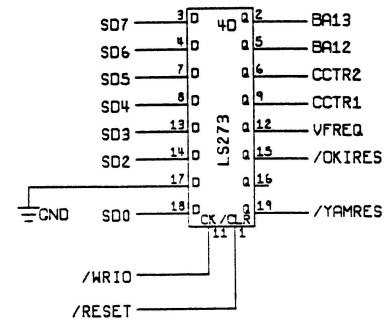
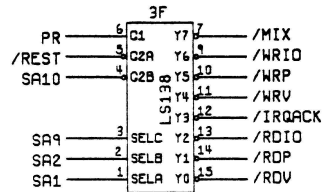
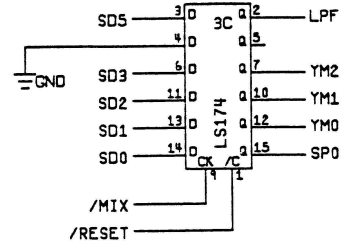
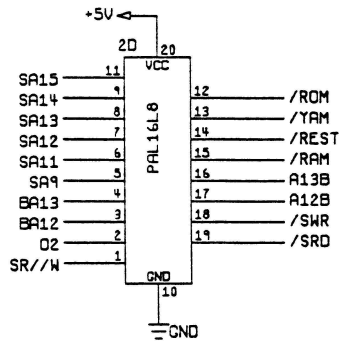


Figure 5-2 JSA Audio II PCB Assembly Schematic Diagram

046487-01 E



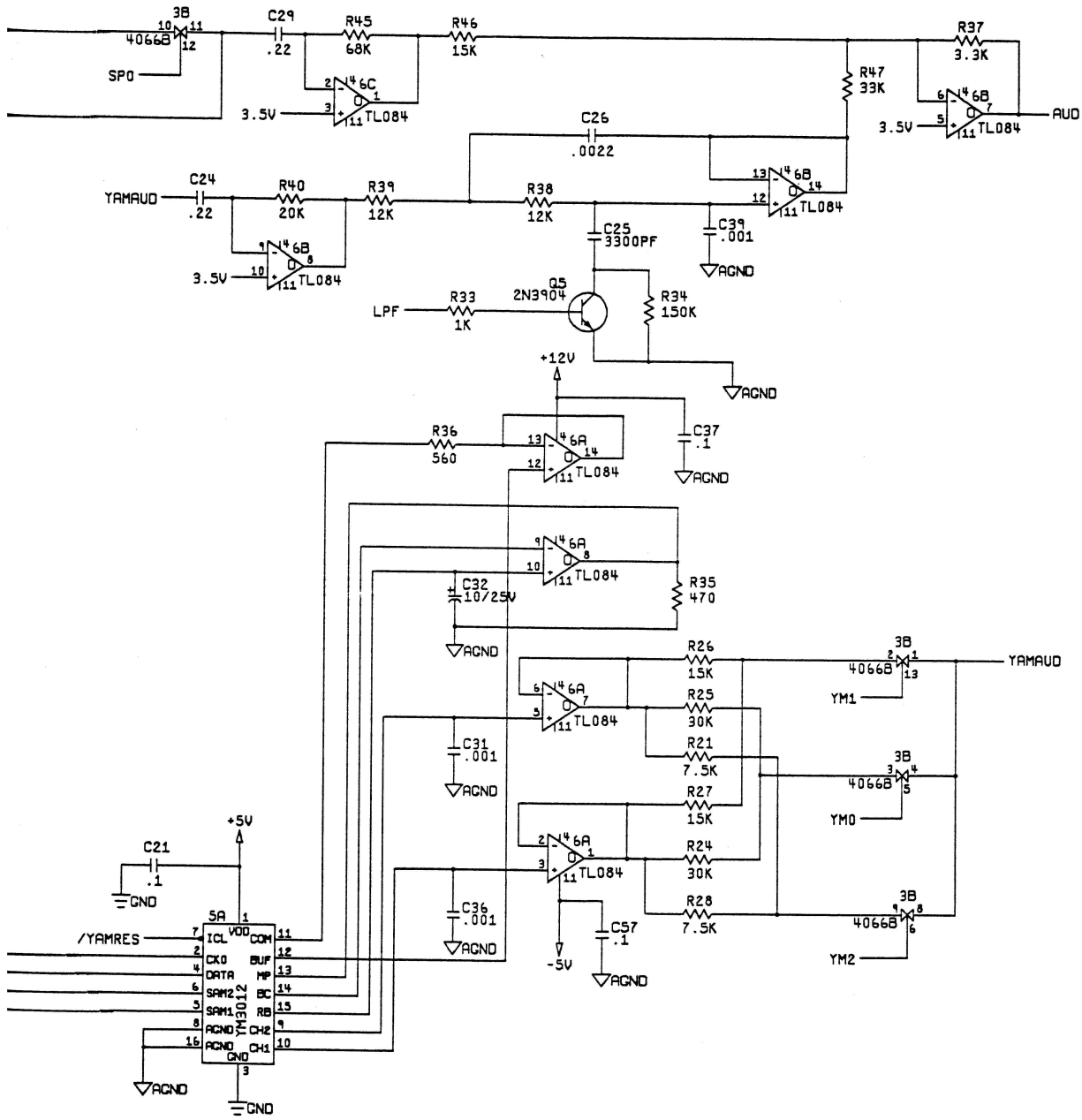
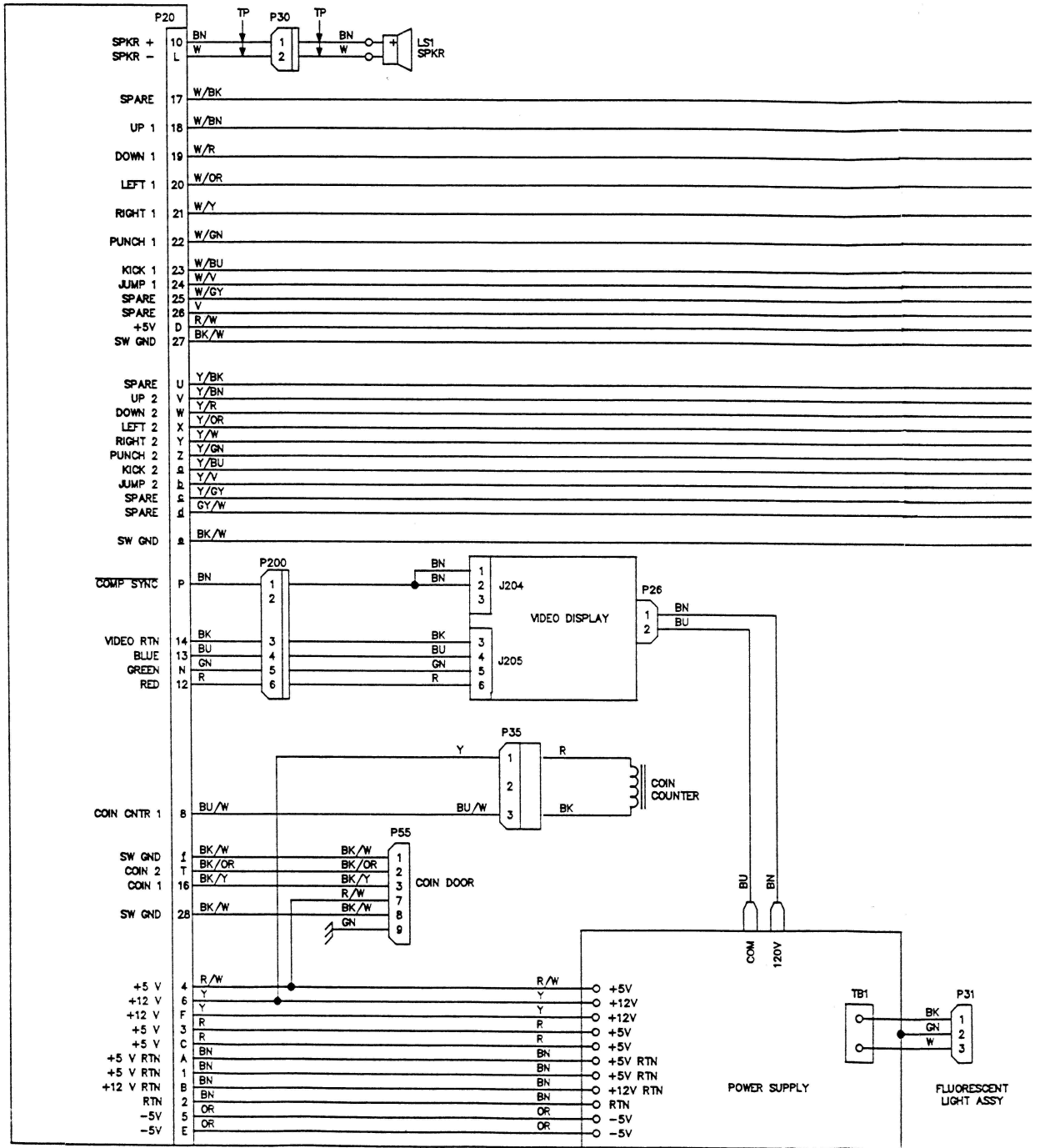


Figure 5-2 JSA Audio II PCB Assembly Schematic Diagram

046487-01 E



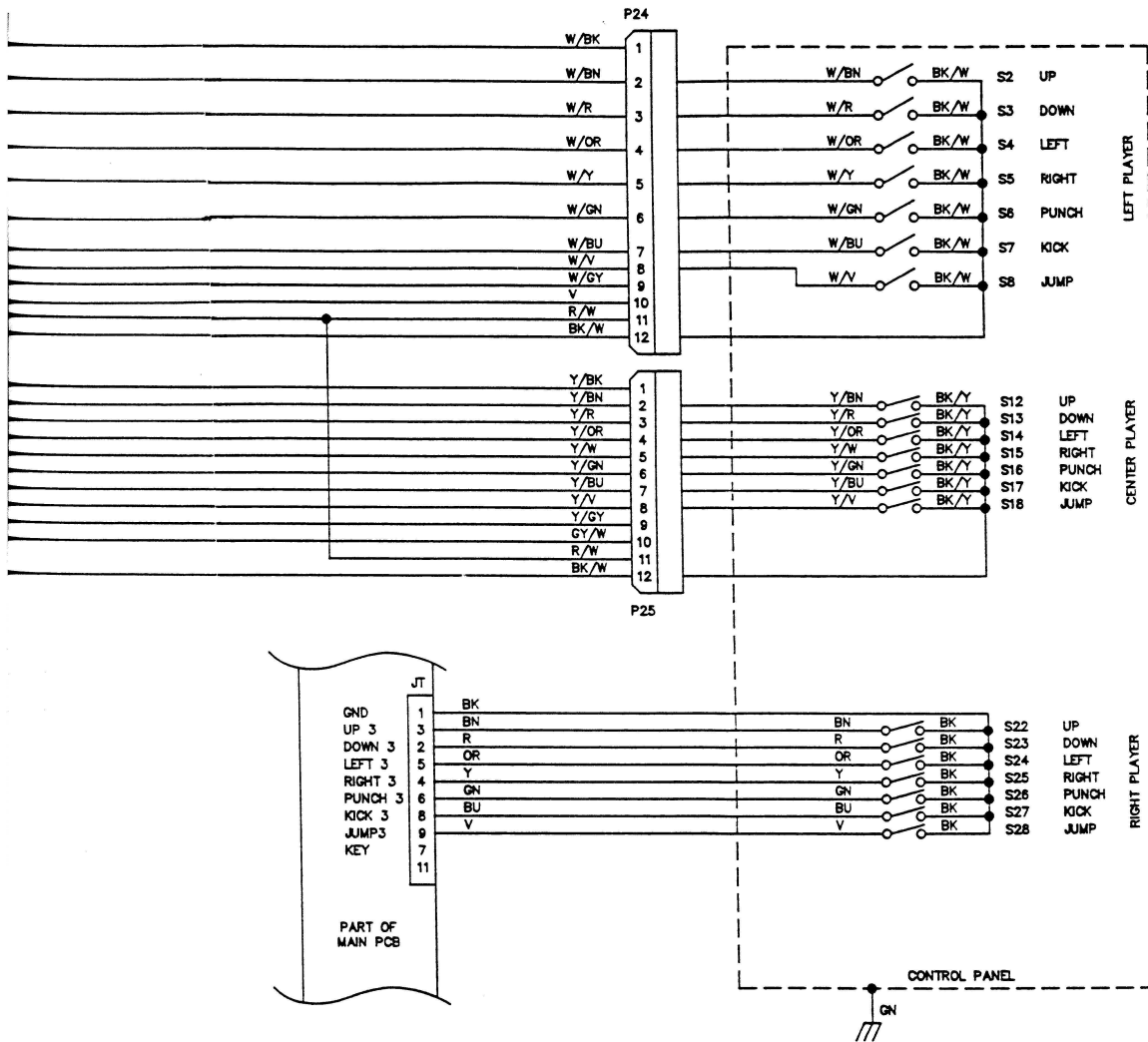


Figure 5-3 Game Wiring Diagram

048097-01 A

# N O T E S





# Pit-Fighter Statistics Sheet

Date: \_\_\_\_\_

Location: \_\_\_\_\_

## Statistics Screen

## Histogram Screens

		<b>Histogram 1: New Games in Seconds</b>	<b>Histogram 2: Continuations in Seconds</b>	<b>Histogram 3: Sessions in Minutes</b>
Left Coins:	_____	0-39 _____	0-39 _____	0-2 _____
Right Coins:	_____	40-59 _____	40-59 _____	3-5 _____
0 Player Minutes:	_____	60-79 _____	60-79 _____	6-8 _____
1 Player Minutes:	_____	80-99 _____	80-99 _____	9-11 _____
2 Player Minutes:	_____	100-119 _____	100-119 _____	12-14 _____
3 Player Minutes:	_____	120-139 _____	120-139 _____	15-17 _____
Sessions:	_____	140-159 _____	140-159 _____	18-20 _____
New Games:	_____	160-179 _____	160-179 _____	21-23 _____
Continued Games:	_____	180-199 _____	180-199 _____	24-26 _____
New (Game) Mins:	_____	200-219 _____	200-219 _____	27-29 _____
Cont. (Game) Mins:	_____	220-239 _____	220-239 _____	30-32 _____
Error Count:	_____	240-259 _____	240-259 _____	33-35 _____
Total Credits:	_____	260-279 _____	260-279 _____	36-38 _____
Avg Time/Credit:	_____ sec	280-299 _____	280-299 _____	39-41 _____
Avg Time/New Game:	_____ sec	300-319 _____	300-319 _____	42-44 _____
Avg. Time/Cont. Game:	_____ sec	320-339 _____	320-339 _____	45-47 _____
		340-359 _____	340-359 _____	48-50 _____
		360-379 _____	360-379 _____	51-53 _____
		380-399 _____	380-399 _____	54-56 _____
		400 & up _____	400 & up _____	57 & up _____



# N O T E S

# Warranty

Seller warrants that its printed-circuit boards and parts thereon are free from defects in material and workmanship under normal use and service for a period of ninety (90) days from date of shipment. Seller warrants that its video displays and laser-video disc players (in games supplied with displays and video-disc players) are free from defects in material and workmanship under normal use and service for a period of thirty (30) days from date of shipment. None of the Seller's other products or parts thereof are warranted.

If the products described in this manual fail to conform to this warranty, Seller's sole liability shall be, at its option, to repair, replace, or credit Buyer's account for such products which are returned to Seller during said warranty period, provided:

- (a) Seller is promptly notified in writing upon discovery by Buyer that said products are defective;
- (b) Such products are returned prepaid to Seller's plant; and
- (c) Seller's examination of said products discloses to Seller's satisfaction that such alleged defects existed and were not caused by accident, misuse, neglect, alteration, improper repair, installation, or improper testing.

In no event shall Seller be liable for loss of profits, loss of use, incidental or consequential damages.

*Except for any express warranty set forth in a written contract between Seller and Buyer which contract supersedes the terms herein, this warranty is expressed in lieu of all other warranties expressed or implied, including the implied warranties of merchantability and fitness for a particular purpose, and of all other obligations or liabilities on the Seller's part, and it neither assumes nor authorizes any other person to assume for the Seller any other liabilities in connection with the sale of products by Seller.*

The use of any non-Atari parts may void your warranty, according to the terms of the warranty. The use of any non-Atari parts may also adversely affect the safety of your game and cause injury to you and others. Be very cautious in using non-Atari-supplied components with our games, in order to ensure your safety.

Atari distributors are independent, being privately owned and operated. In their judgment they may sell parts or accessories other than Atari parts or accessories. Atari Games Corporation cannot be responsible for the quality, suitability or safety of any non-Atari part or any modification including labor which is performed by such distributor.



Atari Games Corporation

675 Sycamore Drive

P.O. Box 361110

Milpitas, CA 95036